

compactSteam

Electrode Steam Humidifier

Umidificatore a vapore per ambienti residenziali

CAREL



Ⓔ User manual

Ⓘ Manuale d'uso

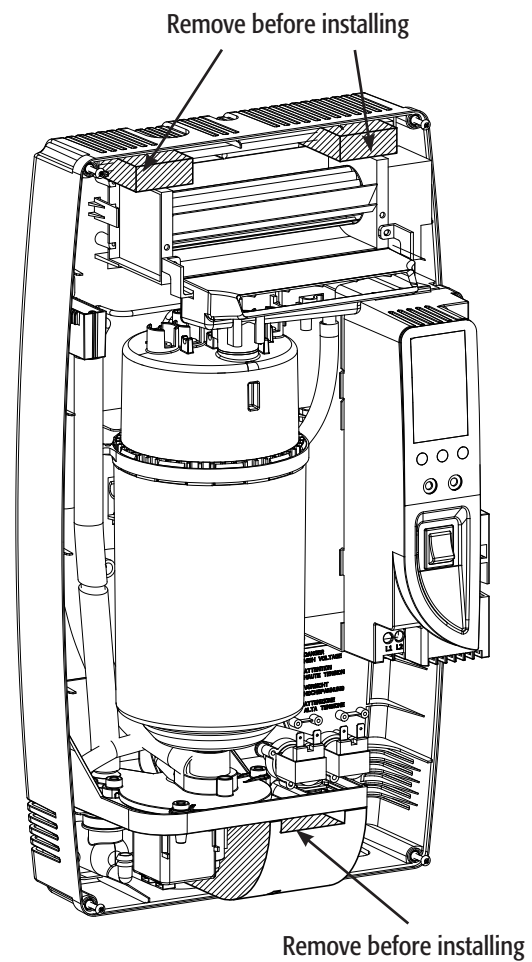
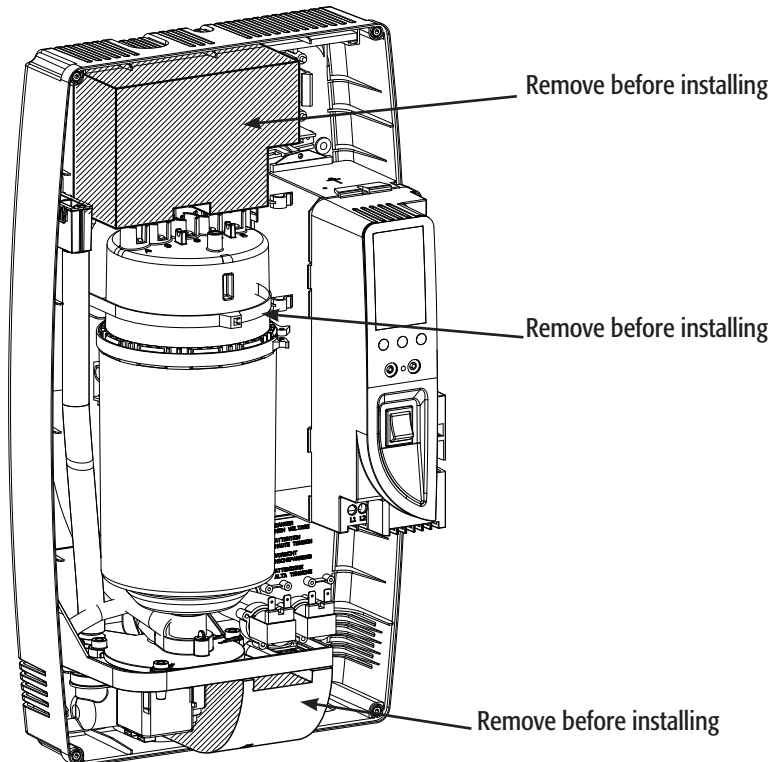
User manual



Warning

If present, remove the following items:

Close the cylinder clamp



WARNINGS



The CAREL Industries humidifiers are advanced products, whose operation is specified in the technical documentation supplied with the product or can be downloaded, even prior to purchase, from the website www.carel.com. Each CAREL Industries product, in relation to its advanced level of technology, requires setup/configuration/programming/commissioning to be able to operate in the best possible way for the specific application. The failure to complete such operations, which are required/indicated in the user manual, may cause the final product to malfunction; CAREL Industries accepts no liability in such cases.

The customer (manufacturer, developer or installer of the final equipment) accepts all liability and risk relating to the configuration of the product in order to reach the expected results in relation to the specific final installation and/or equipment. CAREL Industries may, based on specific agreements, act as a consultant for the installation/commissioning/use of the unit, however in no case does it accept liability for the correct operation of the humidifier and the final installation if the warnings or suggestions provided in this manual or in other product technical documents are not heeded. In addition to observing the above warnings and suggestions, the following warnings must be followed for the correct use of the product:

- **DANGER OF ELECTRIC SHOCK**

The humidifier contains live electrical components. Disconnect the power supply before accessing inside parts or during maintenance and installation.

- **DANGER OF WATER LEAKS**

The humidifier automatically and constantly fills/drains certain quantities of water. Malfunctions in the connections or in the humidifier may cause leaks.

- **DANGER OF BURNS**

The humidifier contains high temperature components and delivers steam at 100°C/ 212°F.



Warning:

- The installation of the product must include an earth connection, using the special yellow-green terminal available in the humidifier.
- The environmental and power supply conditions must conform to the values specified on the product rating labels.
- The product is designed exclusively to humidify rooms either directly or through distribution systems (ducts).
- Only qualified personnel who are aware of the necessary precautions and able to perform the required operations correctly may install, operate or carry out technical service on the product.
- Only water with the characteristics indicated in this manual must be used for steam production.
- All operations on the product must be carried out according to the instructions provided in this manual and on the labels applied to the product. Any uses or modifications that are not authorized by the manufacturer are considered improper. CAREL Industries declines all liability for any such unauthorized use.
- Do not attempt to open the humidifier in ways other than those specified in the manual.
- Observe the standards in force in the place where the humidifier is installed.
- Keep the humidifier out of the reach of children and animals.
- Do not install and use the product near objects that may be damaged when in contact with water (or condensate). CAREL Industries declines all liability for direct or indirect damage following water leaks from the humidifier.
- Do not use corrosive chemicals, solvents or aggressive detergents to clean the inside and outside parts of the humidifier, unless specifically indicated in the user manual.
- Do not drop, hit or shake the humidifier, as the inside parts and the linings may be irreparably damaged.

CAREL Industries adopts a policy of continual development. Consequently, CAREL reserves the right to make changes and improvements to any product described in this document without prior warning. The technical specifications shown in the manual may be changed without prior warning.

The liability of CAREL Industries in relation to its products is specified in the CAREL Industries general contract conditions, available on the website www.carel.com and/or by specific agreements with customers; specifically, to the extent where allowed by applicable legislation, in no case will CAREL Industries, its employees or subsidiaries be liable for any lost earnings or sales, losses of data and information, costs of replacement goods or services, damage to things or people, downtime or any direct, indirect, incidental, actual, punitive, exemplary, special or consequential damage of any kind whatsoever, whether contractual, extra-contractual or due to negligence, or any other liabilities deriving from the installation, use or impossibility to use the product, even if CAREL Industries or its subsidiaries are warned of the possibility of such damage.



DISPOSAL



The humidifier is made up of metal parts and plastic parts. In reference to European Union directive 2002/96/EC issued on 27 January 2003 and the related national legislation, please note that:

1. WEEE cannot be disposed of as municipal waste and such waste must be collected and disposed of separately;
2. the public or private waste collection systems defined by local legislation must be used. In addition, the equipment can be returned to the distributor at the end of its working life when buying new equipment;
3. the equipment may contain hazardous substances: the improper use or incorrect disposal of such may have negative effects on human health and on the environment;
4. the symbol (crossed-out wheeled bin) shown on the product or on the packaging and on the instruction sheet indicates that the equipment has been introduced onto the market after 13 August 2005 and that it must be disposed of separately;
5. in the event of illegal disposal of electrical and electronic waste, the penalties are specified by local waste disposal legislation.

Warranty on the materials: 2 years (from the date of production, excluding consumables).

Approval: the quality and safety of CAREL S.P.A. products are guaranteed by the ISO 9001 certified design and production system, as well as by the   mark.

Contents

1. COMPACTSTEAM OPERATION	9
1.1 Operating stages	9
1.2 Cylinder life	10
2. MODELS	11
3. INSTALLATION	12
3.1 Positioning.....	12
3.2 Assembly.....	12
3.3 Characteristics of the supply water	14
3.4 Drain water	14
3.5 Water connections	14
3.6 Steam distribution.....	15
3.7 Electrical connections.....	18
3.8 Power wiring.....	18
3.9 Control wiring	18
3.10 On/off operation.....	19
3.11 Modulating operation.....	20
3.12 Connecting the CLIMA humidistat	20
3.13 Wiring connections	20
4. STARTING	21
4.1 Checks when starting.....	21
4.2 CompactSteam control device	21
4.3 Starting compactSteam.....	21
4.4 Starting with a new cylinder	21
5. COMPACTSTEAM OPERATION	22
5.1 Displaying information.....	22
5.2 Setting the maximum steam production	22
5.3 Manual drain cycle.....	22
5.4 Resetting the hour counter	23
5.5 Alarms.....	23
6. TROUBLESHOOTING	24
7. MAINTENANCE	25
7.1 Periodical checks	25
7.2 Cylinder maintenance.....	25
7.3 Spare parts	26
8. TECHNICAL SPECIFICATIONS	27

1. COMPACTSTEAM OPERATION

Range of isothermal humidifiers for steam production in rooms. The steam is produced from the water contained in the cylinder (connected to the mains). The water boils and evaporates due to the electric current generated by two immersed electrodes in the cylinder.

1.1 Operating stages

- the humidifier opens the fill valve (1) connected to the main water supply;
- the water flows through the hose (2) to the tank (3), the flow restrictor (4) controls the filling speed;
- when the tank is full, the water overflows into the hose (6) and starts filling the cylinder (5);
- once the level of water in the cylinder has been reached, the humidifier closes the fill valve (1);
- the current generated by the immersed electrodes in the cylinder (7) heats the water until it boils;
- the steam exits the cylinder through the outlet (8) and - depending on the model of humidifier - is distributed directly into the room (using a fan), or into the duct (via a steam line).



Note:

- if the water in the cylinder exceeds the level sensor (9), the humidifier opens the drain pump (11) and drains the excess quantity;
- if the current generated in the cylinder reaches excess levels, the humidifier opens the drain pump (11) and drains the quantity of water required to restore the level of current;
- before emptying the humidifier activates the tempering valve (10) to cool the water to 60°C/140°F;
- the humidifier automatically controls the quantity of mineral salts dissolved in the water by activating the fill (1) and drain (11) pumps;
- the cylinder is fitted with a filter (12) to prevent the mineral debris from blocking the drain pump (11);
- if the humidifier is in standby and does not produce steam for more than 3 days (72 hours), the water in the cylinder is automatically emptied;
- the fill tank (3) is connected to an overflow hose (13) to prevent contact between the mains water and the water in the cylinder;
- the current running through the cylinder is controlled by the current transformer connected to the electrodes (7).

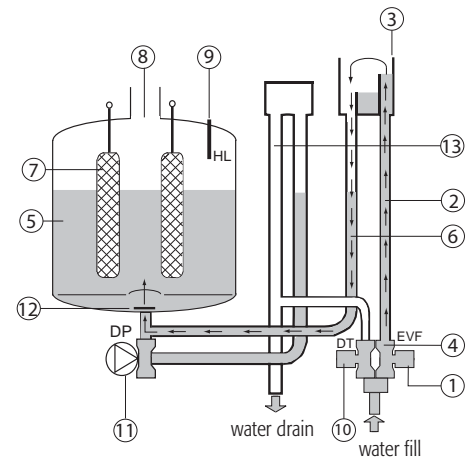


Fig. 1.a

Key

1	fill valve
2	fill hose
3	fill tank
4	flow restrictor
5	cylinder
6	cylinder fill hose
7	immersed electrodes
8	steam outlet
9	level sensor
10	tempering valve
11	drain pump
12	water drain filter
13	overflow hose

Tab. 1.a

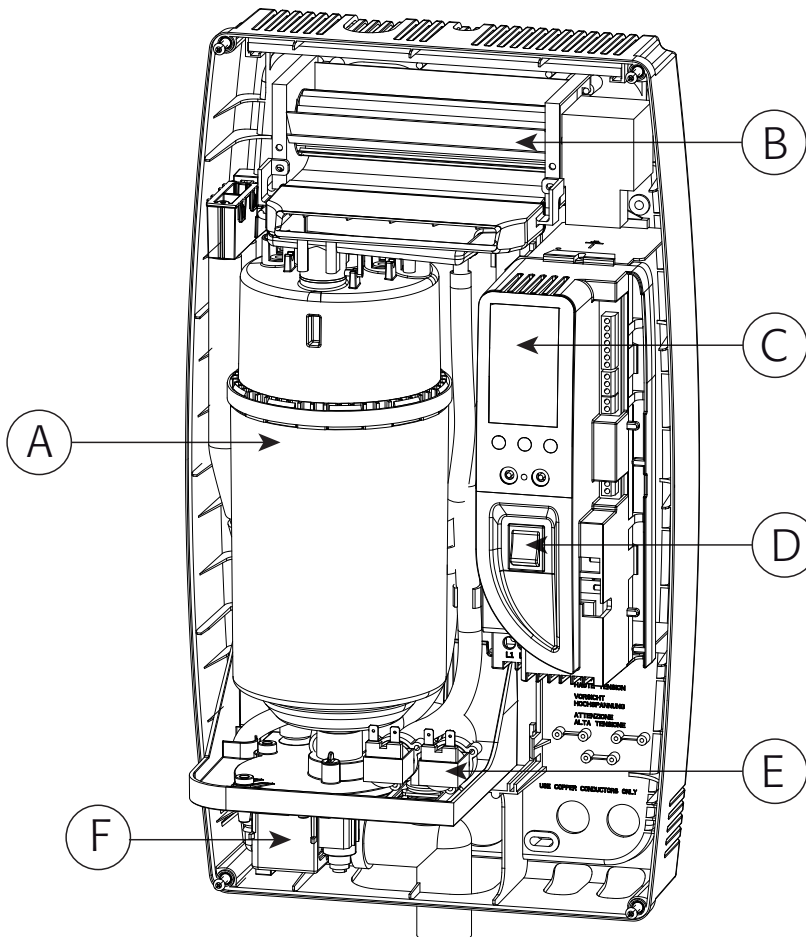


Fig. 1.b

No. Description

A	cylinder steam generator
B	steam blower (optional)
C	user interface/display
D	On/Off button
E	fill and tempering valves
F	drain pump

Tab. 1.b

1.2 Cylinder life

Basic information

The plastic cylinder containing the electrodes is the heart of the humidifier. In the cylinder, during operation, the water is boiled to produce steam. As the steam does not carry away the minerals dissolved in the water, the concentration of these increases in proportion to the quantity of steam generated; in addition, some of the salts (above all calcium and magnesium bicarbonates) tend to foul the electrodes until these are electrically insulated. When a part of the electrodes is covered by lime scale, the level of the water in the cylinder is raised so that a new section of clean electrodes can conduct the current. At the end, the electrodes will be completely covered with lime scale and will no longer be able to conduct the current required to produce steam. The humidifier controller can measure such low levels of current between the electrodes, and signalling that the life of the cylinder is coming to an end by displaying alarm code E6. Several factors affect the life of the cylinder, which may range from 500 to 2000 operating hours.

Cylinder life and characteristics of the water

The characteristics of the water, which vary very depending on the site in question, significantly affect the life of the cylinder. The main characteristics are the quantity of minerals dissolved in the water and their composition. If, for example, the content of calcium and magnesium bicarbonates is high, significant deposits form and consequently the life of the cylinder is shortened. If on the other hand the water contains a considerable percentage of chlorides, corrosion may occur, with possible electric discharges between the electrodes.

Cylinder life and humidity load

Humidity load demands have an effect on cylinder life. Normal installations where humidity capacity is properly sized require only intermittent periods where full humidifier capacity is required. This allows the water level in the cylinder to be increased only as electrode segments become insulated by lime scale, which tends to maximise cylinder life.

In certain installations that require constant operation at full capacity, cylinder life is reduced because the water level in the cylinder is generally much higher, and the electrodes become covered with lime scale more quickly. Installations like this may result in a cylinder life of less than 1000 hours. Consequently, it is extremely important to correctly size the capacity of the humidifier in relation to the required humidity load.

Cylinder life and maximum production

Another factor affecting cylinder life is the maximum production setting. A higher production rate will result in a shorter cylinder life, and vice-versa. For this reason, models CH*05***** are preset with a maximum production of 70% of the rated value. Figure 1.c shows the relationship between the maximum steam production and cylinder life.

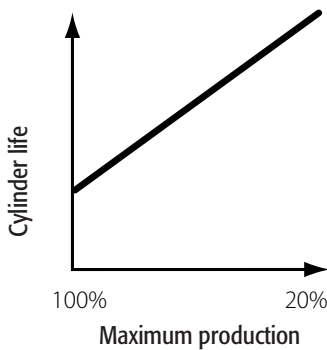


Fig.1.c

2. MODELS

Two versions of compactSteam humidifiers are available:

Duct steam distribution



Fig.2.a

Direct room distribution



Fig.2.b

compactSteam is made in various models that differ in terms of capacity (kg of steam produced per hour) and voltage (the voltage depends on the national grid). Each model is identified by a 10-character alphanumeric code. The meaning of each character is shown below:

CH m ss c v xx r

CH means compactSteam Humidifier and is fixed;

m = model: 0 for injection in the duct, F for direct room distribution;

ss = rated steam flow in kg/h (see the table on page 27 for the complete list with the rated steam flow);

c = type of control: V = ON/OFF or 0 to 10 Vdc proportional control;

v = power supply: 1 = 110 VAC single-phase, 2 = 230 VAC single-phase;

xx = customisation or xH = complete package (compactSteam + CLIMA);

r = version.

Examples:

CH002V1001: compactSteam for injection in the duct (m = 0), rated steam flow 5.5 pounds/hour / 2.5kg/h (ss = 02), 110 VAC single-phase (v = 1), not customised, (xx = 00), version 1 (r = 1, with drain pump)

Note: Some models may not be available in all countries.

3. INSTALLATION

Duct steam distribution

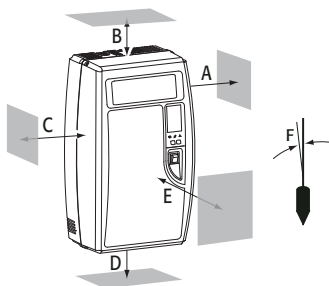


Fig. 3.a

	Millimetres	Inches
A	150 mm	6"
B	150 mm	6"
C	150 mm	6"
D	150 mm	6"
E	600 mm	24"
F	max. 0.2	

Tab. 3.a

3.1 Positioning

- The compactSteam unit is designed for wall-mounting;
- to ensure correct steam distribution, position the humidifier near the point of steam distribution steam;
- make sure the humidifier is vertical, leaving the minimum clearances (see Fig.3.a and Tab. 3.a for the installation of the duct model and Fig. 3.b and Tab. 3.b for the room model) to ensure safety and allow for the necessary maintenance operations.

3.2 Mounting

Removing the front cover

The front cover is fastened to the body unit using four Phillips head screws located in the four corners of the unit. Use a screwdriver to unscrew the four screws on the cover as shown in Fig. 3.d, then remove the cover by simply pulling it outwards (Fig. 3.e). To replace the cover, perform the same operations in the reverse order.

Be careful not to over-tighten the screws.

Direct room distribution

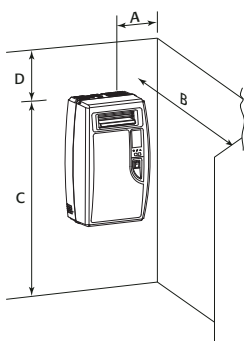


Fig. 3.b

	Millimetres	Inches
A	150 mm	6"
B	1500 mm	60"
C	1800 mm	72"
D	600 mm	24"

Tab. 3.b

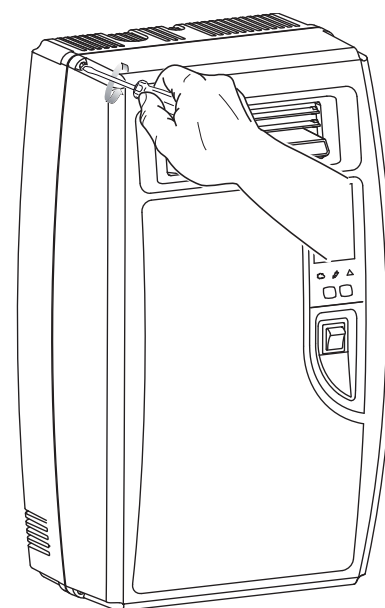


Fig. 3.d

Dimensions of the unit (for all models):

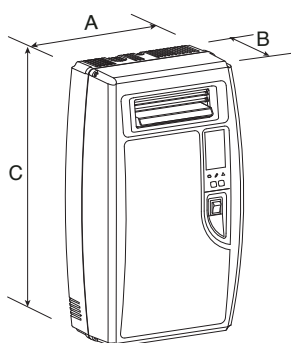


Fig. 3.c

	Millimetres	Inches
A	341 mm	13.4"
B	204 mm	8.1"
C	600 mm	23.7"

	Kilograms	Pounds
Empty weight	8 kg	18 lbs
Packaged weight	10 kg	22 lbs
Weight installed + water	12 kg	26 lbs

Tab. 3.c

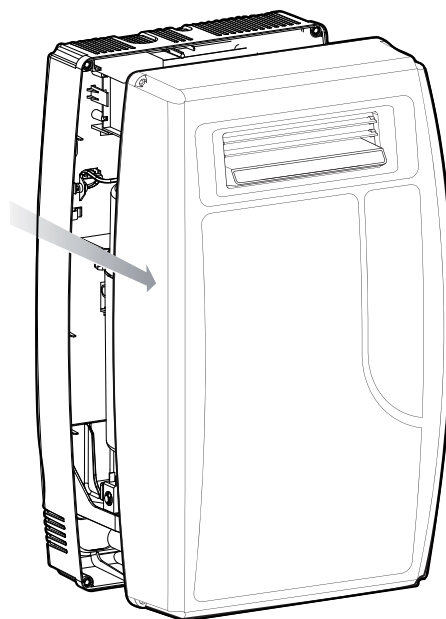


Fig. 3.e

Fastening to the wall

Instructions for fastening to the wall:

1. drill the holes in the wall according to the drilling template supplied;
2. fasten compactSteam to the wall using the screws and the anchors supplied.

Fig 3.f shows the measurements in mm (inches in brackets) for wall-mounting.

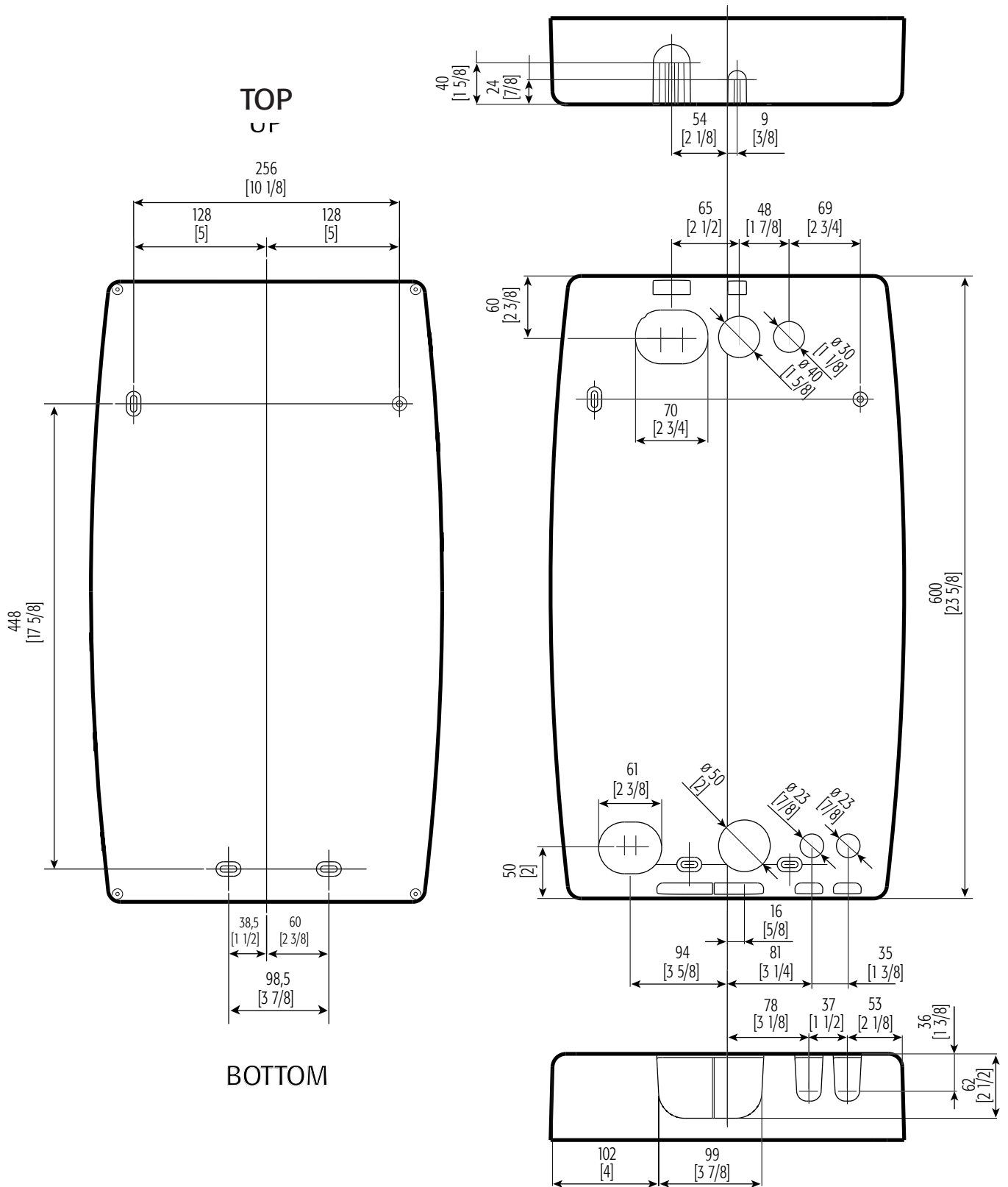


Fig. 3.f

3.3 Characteristics of the supply water

The humidifier must be supplied with water with the following characteristics:

- pressure between 20psi and 110psi or 0.1 and 0.8 MPa (1 and 8 bar);
- temperature between 33°F and 104°F or 1°C and 40°C;
- flow-rate minimum of 0.45 L/min or 0.12gpm;
- connection type 3/4" G (see chap. 8 "Technical specifications");
- hardness no greater than 40°FH (equal to 400 ppm of CaCO₃);
- conductivity: from 100 to 1250 µS/cm;
- absence of organic compounds.

The characteristics of the supply-water must fall within the following limits:

supply water characteristics	unit of measure	normal water		water with low salt content	
		min.	max.	min.	max.
Hydrogen ions (pH)		7	8.5	7	8.5
Specific conductivity at 20 °C ($\sigma_{R,20^{\circ}C}$)	µS/cm	350	1250	100	350
Total dissolved solids (C_R)	mg/l	(1)	(1)	(1)	(1)
Dry residue at 180 °C (R_{180})	mg/l	(1)	(1)	(1)	(1)
Total hardness (TH)	mg/l CaCO ₃	100 (2)	400	50 (2)	160
Temporary hardness	mg/l CaCO ₃	60 (3)	300	30 (3)	100
Iron + Manganese	mg/l Fe+Mn	=	0.2	=	0.2
Chlorides	ppm Cl	=	30	=	20
Silica	mg/l SiO ₂	=	20	=	20
Residual chlorine	mg/l Cl ₂	=	0.2	=	0.2
Calcium sulphate	mg/l CaSO ₄	=	100	=	60
Metallic impurities	mg/l	0	0	0	0
Solvents, thinners, detergents, lubricants	mg/l	0	0	0	0

Tab. 3.d

⁽¹⁾= values depend on the specific conductivity; in general:

$$C_R \cong 0.93 * \sigma_{R,20^{\circ}C}; R_{180} \cong 0.65 * \sigma_{R,20^{\circ}C}$$

⁽²⁾= not less than 200% of the chloride content in mg/l Cl⁻

⁽³⁾= not less than 300% of the chloride content in mg/l Cl⁻

There is no reliable relationship between hardness and conductivity of the water.

Important

do not treat the water with softeners, this may cause the entrainment of foam, affecting the operation of the unit;

do not add disinfectants or anticorrosive compounds to the water, as these are potential irritants; the use of well water, industrial water or water from cooling circuits and, in general, any potentially chemically or bacteriologically contaminated water is not recommended.

3.4 Drain water


- this contains the same substances dissolved in the supply water, however in higher quantities;
- it is cooled to 60°C / 140°F by mixing it with supply water;
- it is not toxic and can be drained into the sewerage system.

3.5 Water connections

Before proceeding make sure that the humidifier is disconnected from the main power supply.

Connection to the main water supply

Install a manual valve upstream of the installation to be able to cut off the water supply, as illustrated in Fig. 3.h. Connect the humidifier to the main water supply using a hose capable absorbing water hammer, to avoid damaging the fill valve. The hoses are identified by the following CAREL codes: FWH3415000 (1.5 m /4ft long), FWH3 430000 (3 m /9.5ft long). Alternatively, a hose with a minimum inside diameter of 6 mm / 1/4" can be used. If soft polymer tubing is used, secure this to the wall to prevent it from detaching from the fill connector and this avoiding water leaks. The threaded fill valve fitting is located at the bottom of the humidifier (see Fig. 3.g). Remember that the fill valve is fitted with a filter that requires periodical cleaning. Make sure there is sufficient clearance for maintenance. The water line can be connected either through the holes at the rear (so that these remain hidden behind the unit) or through the holes at the bottom of the unit.

 **IMPORTANT:** When installation is completed, flush the supply hose for around 30 minutes by piping water directly into the drain, without sending it into the humidifier. This will eliminate any scale or processing residues that may block the drain pump and cause foam when boiling.

Water drain

As well as the connection to the main water supply, compactSteam also requires connection to a drain pipe for emptying the water in the cylinder whenever necessary. The drain tubing can be connected from the rear (as shown in Fig. 3.i) or from the bottom of the unit using the elbow connector supplied (Fig. 3.g and 3.h).

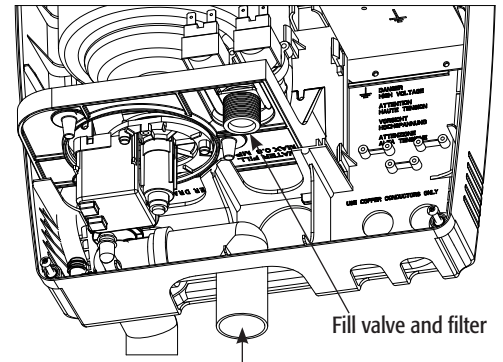
The characteristics of the drain line are shown in Tab. 3.e.

The drain tubing must have a minimum inside diameter of 32 mm (1-1/4") and must be secured to the humidifier drain outlet without requiring additional support. The drain tubing must have a minimum slope of 5°, and a drain trap must be installed to prevent the return of odors, as illustrated in Fig. 3.h and 3.i. In addition, a funnel should be used to interrupt continuity in the drain line and prevent flooding inside the unit.

The compactSteam unit is fitted with a tempering valve that, opening at the same time as the pump, adds cold water to the drain line, thus ensuring a maximum temperature of the drain water of 60°C/140°F.

Instant drain flow 50Hz	25 l/min / 6,6 gpm
Instant drain flow 60Hz	26,2 l/min / 7 gpm
Rated connection diameter	32 mm / 1-1/4"
Drain temperature	60 °C / 140 °F

Tab. 3.e



Water drain

Fig. 3.g

Key:

1	Supply
2	Manual valve
3	External filter (recommended)
4	Drain funnel
5	Drain
6	Water fill hose (FWH3415000 or FWH3430000)

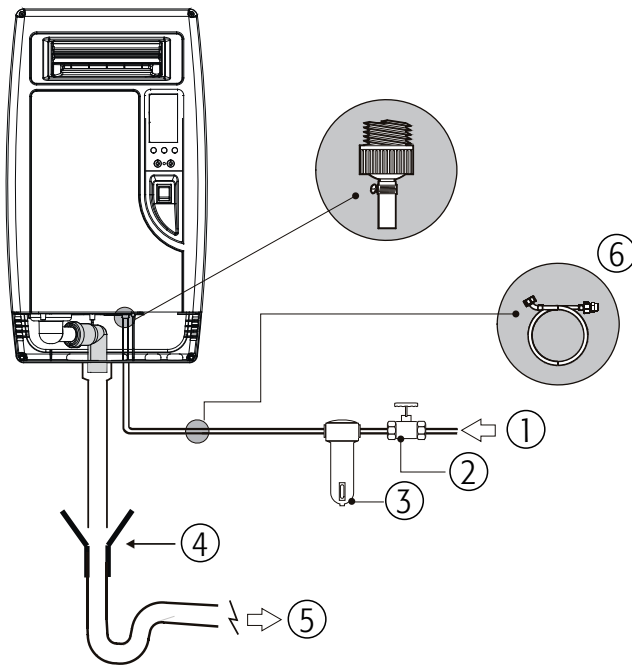


Fig. 3.h

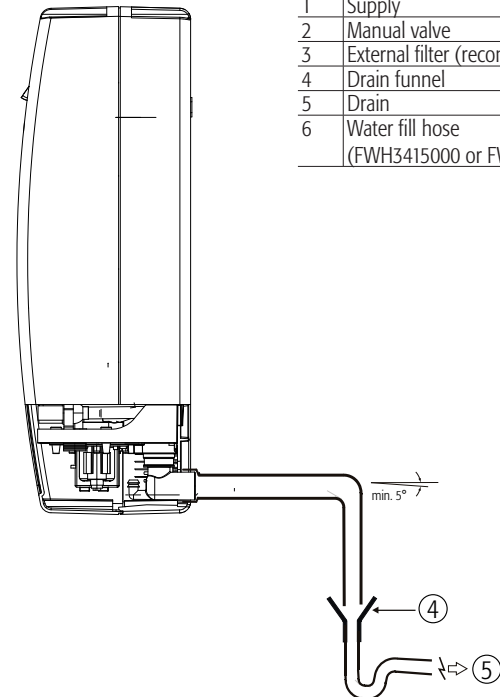


Fig. 3.i

3.6 Steam distribution

Steam injection in the duct

The maximum static pressure allowed in the duct is 950 Pa (95 mm water column /3.7" W.C.)

The compactSteam duct models can be used with the plastic nozzle shown in Figure 3.j (CAREL code SDPOEM00**) for the injection of steam in the duct. The dimensions are shown in Table 3.f. These distributors can be fitted horizontally or vertically (hole facing upwards).

Installing the CAREL SDPOEM00** jet distributors (see Fig.3.j)

- make a series of holes on the wall according to the distributor drilling template (included in the packaging);
- insert the distributor with the steam opening inside the duct; fasten the flange using 4 screws.

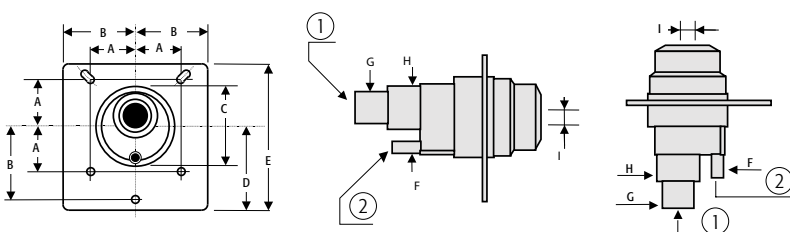


Fig. 3.j

	Millimetres	Inches
A	31.5 mm	12.4"
B	50 mm	1.96"
C	56 mm	2.20"
D	57.5 mm	2.26"
E	100 mm	3.93"
F	Ø 8 mm	Ø 0.31"
G	Ø 22 mm	Ø 0.86"
H	Ø 30 mm	Ø 1.18"
I	12 or 22 mm	0.47 or 0.87"

1	Steam inlet
2	Condensate outlet

Tab. 3.h

Alternatively, a stainless steel distributor for ducts can be used (CAREL code DP0**D22R0):

Key to Fig. 3.j:

1	steam inlet (ØA)
2	condensate drain (ØB)
3	flange gasket
4	screw max diameter. "M5 / (3/16") (see instruction sheet supplied with the distributor)
ØA	22 mm (7/8")
ØB	10 mm (3/8")
ØY	58 mm (2 1/4")
Ø	35 mm (1 3/8")
X	68 mm (2 11/16")

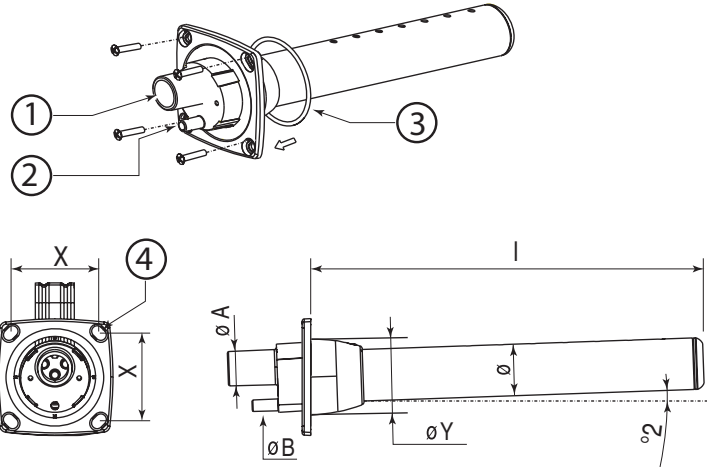


Fig. 3.a.j

Models

- DP035D22R0: l = 332 mm / 13 1/16" (models CH001 to CH003 only);
- DP045D22R0: l = 438 mm / 17 1/4" (for all models, CH001 to CH005).

Tab. 3.g

Installing the CAREL DP0D22R0 linear distributors (see Fig. 3.a.j):**

- make a series of holes on the wall according to the distributor drilling template (included in the packaging);
- insert the distributor with the steam holes facing upwards;
- fasten the flange using 4 screws.

► **Important:** to allow the condensate to return through the drain connection, fit the distributor at a slight incline (at least 2°, see Fig. 3.l).

Condensate drain hose

During operation some of the steam may condense, causing a decline in efficiency and noise (gurgling). To drain the condensate, connect a drain hose (CAREL code 1312353APG) with a drain trap and a minimum slope of 5° to the bottom of the humidifier (see Fig. 3.l). The condensate hose should run through the hole located at the top of the fill tank inside the humidifier, as illustrated in Fig 3.k.

IMPORTANT WARNING: for correct operation, the drain trap should be filled with water before starting the humidifier.

Steam hose

- make the connection between the humidifier and distributor using a hose (it is recommended to use the steam hoses supplied by CAREL, code 1312360AXX). Unsuitable hoses may weaken and crack causing steam leaks;
 - avoid the formation of pockets or traps where condensate may form;
 - avoid choking the hose due to tight bends or twisting.
- fasten the end of the hose to the connectors on the humidifier and the steam distributor using metal clamps (not supplied), so that these do not detach due to the high temperature.

To connect to the cylinder hose steam use the adapter code CHKADAP000.

► **WARNING:** the length of the hose must not exceed 4 m / 13ft.

STEAM CYLINDER HOSE ADAPTER

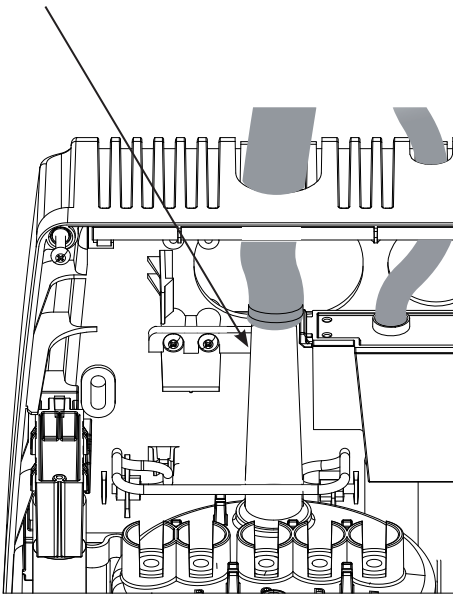


Fig. 3.k

Figure 3.l shows an example of correct and incorrect installation of the steam hose and condensate drain hose.

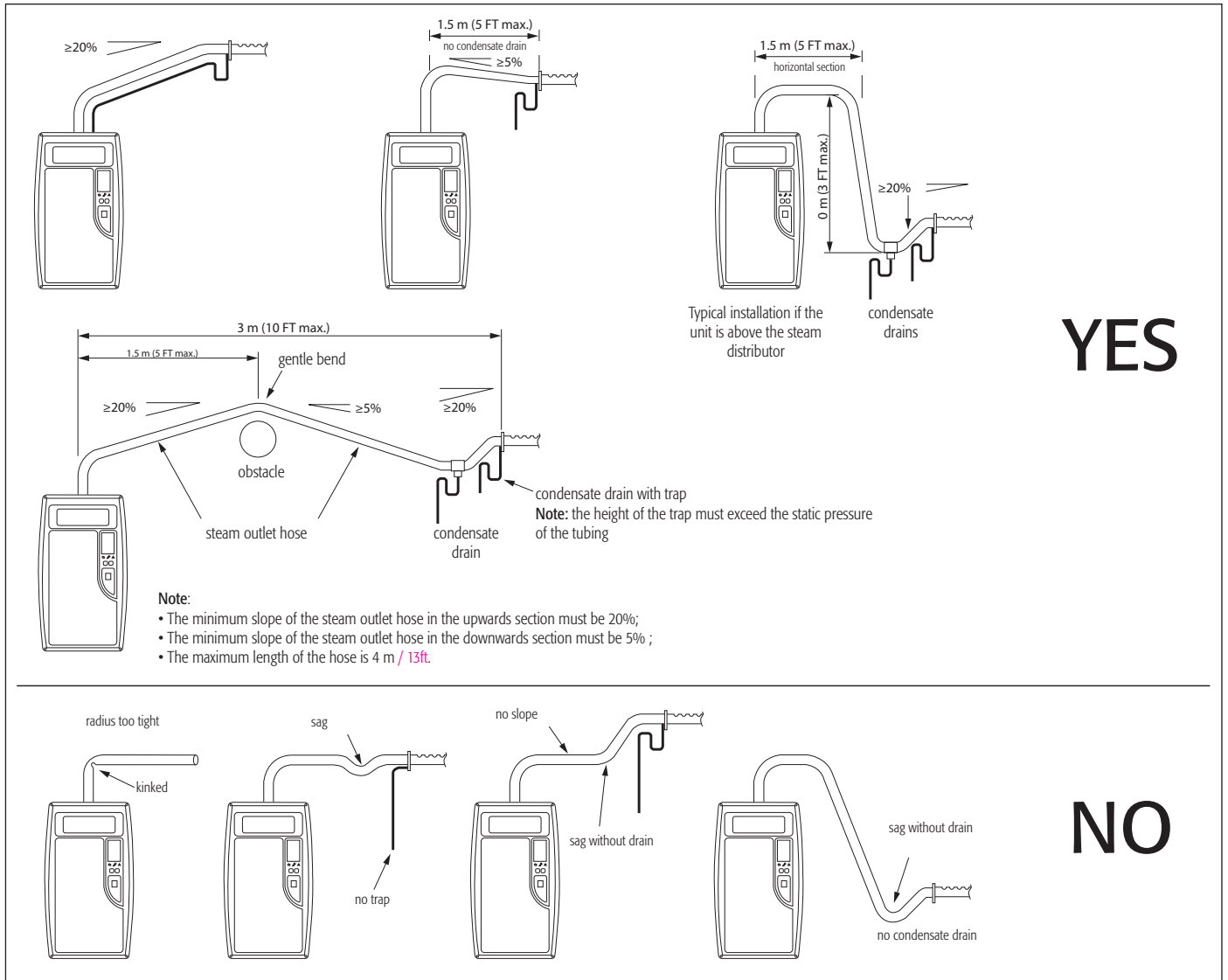


Fig. 3.l

ROOM steam distribution

compactSteam can distribute the steam directly into the room being humidified. For direct humidification, both the compactSteam with built-in blower (CAREL code CHF*****) and the duct model (code CH0*****) can be used, the latter connected to a remote room blower (code VRDCHA1000 for 110 Vac models, and VRDCHA2000 for 230 Vac models).

The following drawing (Fig 3.m) shows the minimum distance that must be observed when installing the remote steam blower, so as to avoid burning and the condensation of steam on objects such as lights, electrical equipment, cold surfaces, etc. For further details on the installation and use of the blower, see the corresponding manual.

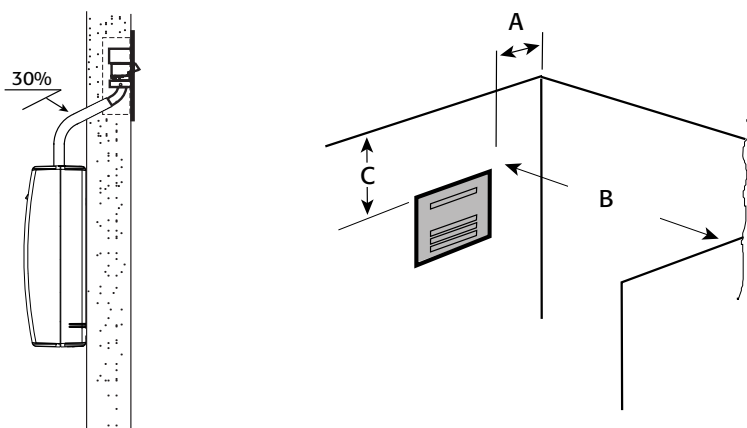


Fig. 3.m

	Millimetres	Inches
A	150 mm	6"
B	1500 mm	60"
C	600 mm	24"

Tab. 3.h

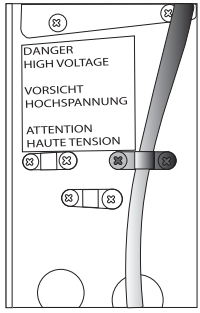


Fig. 3.n

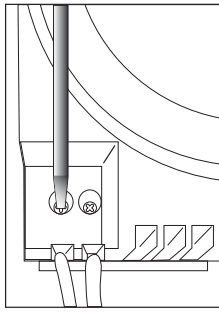


Fig. 3.o

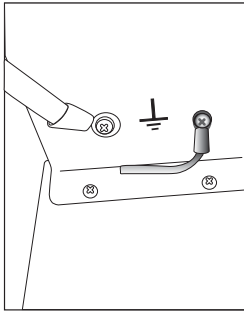


Fig. 3.p

3.7 Electrical connections

Before proceeding with the electrical connections:

- make sure that the humidifier is disconnected from the main;
- check that the unit's power supply voltage corresponds to the value indicated on the rating plate inside the electrical panel.
(Note: The tolerance allowed on the rated voltage is -15% +10%);
- the humidifier power line must be fitted with a disconnect switch and fuses to protect against short circuits (to be fitted by the installer).



Note: To avoid unwanted interference, the power cables should be kept separate from any control wiring. All the wiring must comply with the national and local electrical standards in force.

3.8 Power wiring

To connect the humidifier to the mains:

- once the power cables have been run into the unit, use the cable clamps illustrated in Fig. 3.n to secure them in the correct position;
- connect the power cables to the terminal block at the bottom left of the control module, as illustrated in Fig. 3.o;
- connect the yellow-green wire to the earth terminal on the unit located on the metal support plate under the control module.

Tab. 3.i shows the electrical data (power supply voltages) for each model of humidifier.

Code	Power supply (single phase)	Steam output (kg/h)	Steam output (lbs/hr)	Power (kW)	Current (A)	Power cables		External fuse (A) or breaker
CH*01V1001	110Vac 56/60Hz	1.6	3.5	1.15	10.50	2.5 mm ²	AWG12	16
CH*02V1001	110Vac 56/60Hz	2.5	5.5	1.80	16.40	6 mm ²	AWG10	32
CH*01V2001	230Vac 50/60 hz	1.6	3.5	1.15	5.0	1.5 mm ²	AWG14	10
CH*03V2001	230Vac 50/60 hz	3.2	7	2.31	10.0	2.5 mm ²	AWG12	16
CH*05V2001	230Vac 50/60 hz	5.4	12	3.89	16.9	6 mm ²	AWG10	32

Tab. 3.i

Note: Some models may not be available in all countries.

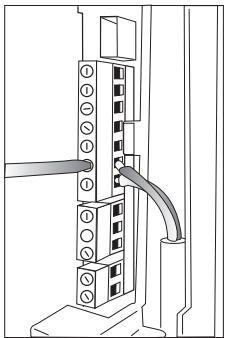


Fig. 3.q

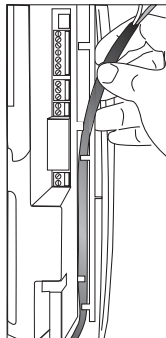


Fig. 3.r

3.9 Control wiring

On compactSteam, steam production is controlled by an external signal:

- in on/off mode, a simple contact (for example a humidistat) enables/disables steam production;
- in proportional mode, the humidifier produces a quantity of steam that is directly proportional to the 0 to 10 V signal generated by an external control device.

The compactSteam unit can be connected to any simple or automatic humidistat, as well as safety devices such as limit humidistats, air flow switches and remote ON/OFF switches. To connect the external control devices, run the cables through the bottom of the unit until reaching the top of the control module, and secure them with the cable clamp (see Fig. 3.n). The terminal blocks for the control wiring are located at the top right of the control module (see Fig. 3.q and 3.r)



IMPORTANT NOTE: Select the correct type of control signal on the keypad (see paragraph 5.1.1) before connecting the control wiring.

3.10 On/Off operation

The diagrams shown in the figures on the side indicate the connections to be performed on the terminal block in the following situations:

Fig 3.s operation controlled by a simple voltage-free remote enabling contact, indicated as CR;

Fig 3.t operation controlled by an external mechanical humidistat, indicated as H;

Fig 3.u a combination of the above.

Remote enabling contact (fig.3.s)

Remove the jumper between terminals AB-AB and connect the voltage-free remote contact (CR) in series to terminals AB-AB; terminals IN-GND must be jumpered. When contact AB-AB is closed, the humidifier is enabled for operation; if the contact is open, steam production stops immediately.

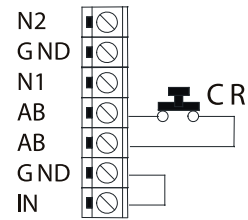


Fig. 3.s

External humidistat without enabling (fig. 3.t)

Connect the external humidistat between terminals IN-GND and leave the jumper in position between terminals AB-AB. DO NOT apply any voltage to AB-AB. If the IN-GND contact is closed, steam production starts, while if it is open steam production stops after 5 s.

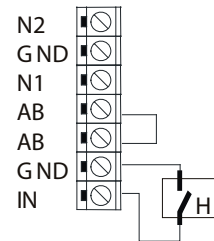
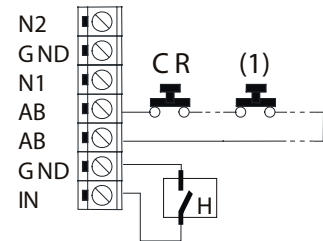


Fig. 3.t

External humidistat with enabling (fig. 3.u)

Connect the external humidistat between terminals IN-GND. Remove the jumper between terminals AB-AB and connect any limit devices, air flow switches or remote contacts (CR) in series to terminals AB-AB. Steam production only starts when both contacts, AB-AB and IN-GND, are closed. If contact AB-AB is open steam production stops immediately, while if IN-GND is open production stops after 5 s.



(1): external switch

Fig. 3.u

Interlock between compactSteam for ducts and the system fan controller

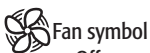
In duct applications, compactSteam starts steam production only if there is an external call for humidity (humidistat closed) and the system fan is on. The system fan communicates with compactSteam via the remote input AB-AB.

The following sequence of events must be true for compactSteam to produce steam:

- External humidistat close (= steam demand)
- FAN-EXT contact closed by compactSteam, to start the system fan
- Input AB-AB closed, indicating that the fan has started (= enable steam production)

compactSteam can be connected to an air flow switch (that is, a device that senses the flow of air generated by the fan in the duct). This flow sensor should be connected to the remote enabling input (terminals AB-AB) in series with a limit humidistat (normally closed).

When the flow sensor is connected to compactSteam, steam production is only enabled if air flow is measured inside the duct.



Fan symbol

- **Off:** no call (IN-GND = open), regardless of whether or not production is enabled (AB-AB = open or closed);
- **Flashing:** call present (IN-GND = closed), awaiting production to be enabled (AB-AB = open);
- **On steady:** call present (IN-GND = closed) and production enabled (AB-AB = closed).



Note:

- When enabled (AB-AB = closed), the symbol goes off 30 s after the production call is no longer present (IN-GND = open);
- When the production call is present (IN-GND = closed), the symbol goes off 60 s after production is disabled (AB-AB = open).

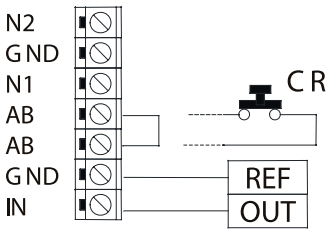


Fig. 3.v

3.11 Modulating operation

Connect the external 0 to 10 V modulating control device between terminals IN-GND as shown in Fig. 3.v. Then connect any safety switches (limit device, air flow switch, remote on/off) in series to terminals AB-AB. If no safety switches are used, install a jumper between AB-AB. DO NOT apply any voltage to AB-AB. Steam production is modulated from 20% to 100% of the maximum production, proportionally to the signal provided by the external controller.

3.12 Connecting the CLIMA humidistat

The Clima humidistat is used to automatically control the humidity in the room. The humidistat can enable/disable the humidifier based on two time bands (day and night), and can control humidification in two different modes: proportional control and ON/OFF control. For the installation and the connection of the Clima device, see the corresponding instruction sheet, provided inside the packaging with the humidistat.

3.13 Wiring connections

Terminal	Function	Electrical specifications
L1-L2-EARTH	Power supply and earth connections	Power supply (110 Vac single-phase 50/60 Hz or 230 Vac single-phase 50/60 Hz)
KEY	Programming port	Connection to a programming device or supervisor
AB-AB	Remote enabling input	Normally open external contact; Rmax= 300 Ohm; Vmax= 33 Vdc; Imax= 6 mA; humidifier enabled = contact closed
IN-GND	Control signal input	If 0 to 10 V set: Input impedance 10 kOhm If ON/OFF set (default): Vmax = 33 Vdc, Imax = 5mA, Rmax = 300 Ohm
NC-C-NO	NC alarm contact C common alarm contact NO alarm contact	250 V; 8 Amp max. with resistive load; 4 Amp max. with inductive load
NO-C	External fan relay	250 V; 8 Amp max. with resistive load; 4 Amp max. with inductive load
24-GND	Power supply for external humidistat	Power supply for external humidistat, 24 Vac; 2 Watts

Tab. 3.I

Control device wiring diagram

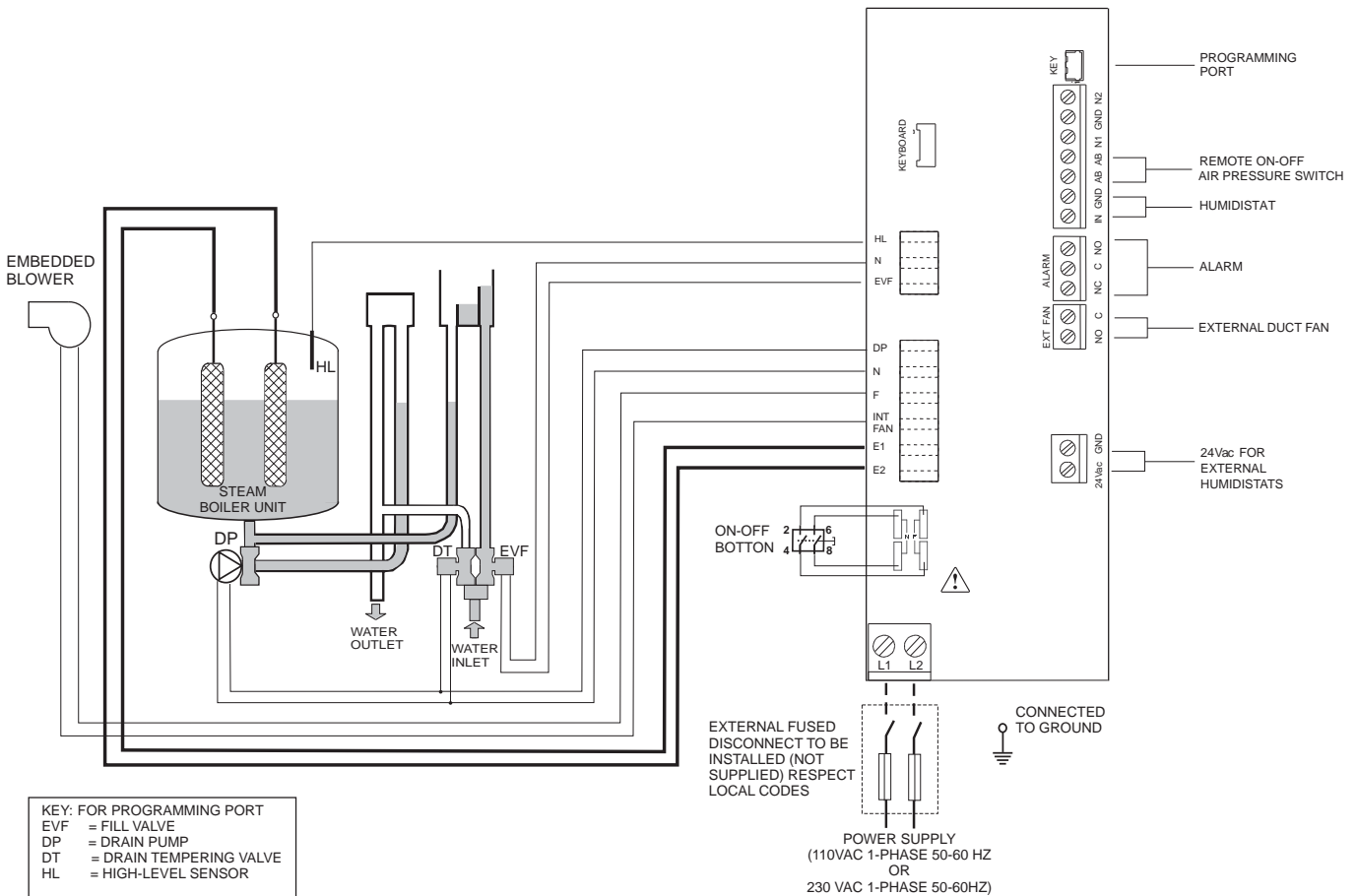


Fig. 3.z

4. STARTING



IMPORTANT WARNING:

1. Before starting, make sure there are no water leaks, and that the electrical components are dry;
2. Do not connect the power supply if the humidifier is damaged or even partially wet!

When installation is completed, flush the supply hose for around 30 minutes by piping water directly into the drain, without sending it into the humidifier; this will eliminate any scale or processing residues that may cause foam when boiling.

4.1 Checks when starting

Before starting the humidifier, check that:

- The water supply is connected, the line has been flushed and the taps are open.
- The drain is connected as explained in the paragraph 3.5 (flood prevention funnel and drain trap under the unit).
- The power supply is connected in accordance with the instructions, the laws in force and the rating labels on the unit.
- The power fuses are installed and intact.
- Any air flow switch is wired to open if there is no air flow.
- Any limit humidistat is wired to open if the humidity increases above the set value.
- All the wire connectors on the unit are tight.
- The steam and condensate hoses are installed correctly, without kinks or twisting, and are correctly sloped in compliance with the manual.

4.2 CompactSteam control device

The compactSteam control device features an LCD that, using icons and numbers, displays the operation of the system:


1	Steam production as a % of rated capacity
2	Active alarm icon
3	Instant current flow in amperes (default display)
4	Steam production in progress
5	Cylinder fill in progress
6	Foam detected inside the cylinder
7	Water inside the cylinder
8	Cylinder drain in progress
9	Red LED: alarm
10	Yellow LED: power supply
11	Green LED: operation
12	Drain button for manually emptying the cylinder and confirming the values set for the parameters
13	On/Off button
14	"Reset" button to reset alarms and access the parameters
15	Level of steam production: 33%, 66%, 100%
16	Fan relay active

4.3 Starting compactSteam

- Press the START button (13), the unit starts and the display shows a sequence of characters. Once this initialisation phase has ended, the yellow power LED comes on and the compactSteam unit is ready to operate.
- If there is demand for humidity, compactSteam delivers power to the electrodes in the cylinder, and the green LED comes on, indicating that operation has started.

4.4 Starting with a new cylinder

When starting with a new cylinder, the cylinder cleaning cycle should be run, as follows:

1. Turn compactSteam off.
2. Turn compactSteam on again, while holding the two buttons, "reset/sel" and "drain", until the display shows "00" and the wrench symbol  flashes; then release the two buttons.
3. Then hold the "reset/sel" button to scroll the numeric parameters on the display. Hold "reset/sel" for a few seconds until the display shows "04".
WARNING: If the value selected is higher than "04" do not confirm, but rather press "reset/sel" until the display returns to normal operating mode and start again from point 1
4. Press "drain" for at least 1 second: the cleaning cycle start.

During the cylinder cleaning cycle appears the PC signal (pre-cleaning) in the display, the electrodes are powered and the cylinder is filled with water until one of the following conditions occurs:

- The level of the water reaches the maximum level sensor;
- the phase current is equal to 20 A.

Once one of these events occurs, the cylinder is completely emptied, with the electrodes off (the pump and the tempering valve are activated for 3 minutes). The water used for washing is heated to help eliminate any residues and traces of dirt.

CAREL Industries recommends that at least two cleaning cycles should be performed when starting with a new cylinder. Once the cleaning has ended, the humidifier starts normal service.

IMPORTANT WARNING: When the humidifier starts with a new or empty cylinder, it may take a long time (a number of hours) for the water in the cylinder to reach the concentration of minerals required to achieve rated steam production.

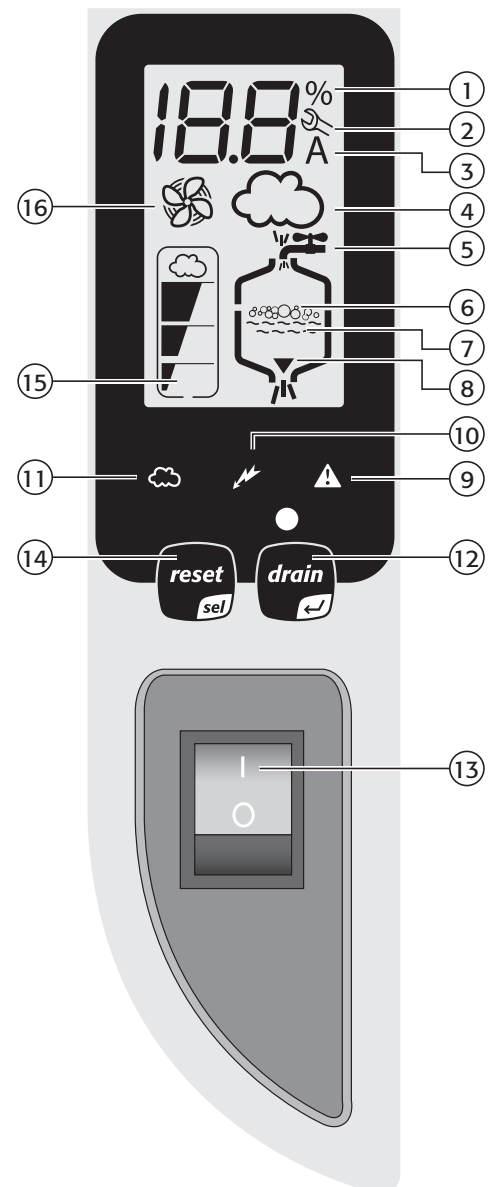


Fig. 4.a

5. COMPACTSTEAM OPERATION

5.1 Displaying information

The information shown on the display during the normal operation of compactSteam is the instant current in amperes running between the electrodes. To display other information, press and hold the "reset/sel" button until the display shows the required information. When holding the button, every 2 seconds the display will scroll between the current, the percentage (%) of steam production, the hour counter and then the current again (Fig. 5.a).




Fig. 5.a

1. **Instant current:** this is the current that flows through the water to make it boil (default display).
2. **percentage (%)** of steam production: this is the steam production (proportional to the current), expressed as a percentage of rated production.
3. **hour counter:** this counts the operating hours of the cylinder (it should be set to zero when replacing the cylinder). The value is expressed in tens of hours, so for example when the display shows 13, the real number of operating hours is between 130 and 139.

Selecting the type of signal

NOTE: Select the type correct of control signal on the keypad before connecting the control wiring. Proceed as follows:


To select the type of control signal proceed as follows:

1. Turn compactSteam off.
2. Turn compactSteam on again, while holding the two buttons, "reset/sel" and "drain", until the display shows "00" and the wrench symbol  flashes; then release the two buttons.
3. Then hold the "reset/sel" button to scroll the numeric parameters on the display. Hold "reset/sel" for a few seconds until the display shows "02".
WARNING: If the display shows a value higher than "02" do not confirm, but rather press "reset/sel" until the display returns to normal operating mode and start again from point 1.
4. Press the "drain" button for at least 1 second to confirm the value: the display will show "P1" for 1 second and then the value of parameter P1 currently set will be displayed alongside.
5. Pressing "reset/sel" switches the value of P1 between "0" and "1":
0 = humidistat;
1 = external 0 to 10 V modulating signal
6. Press the "drain" button for at least 1 second to confirm the new value of parameter P1 and return to normal operating mode.
7. Turn compactSteam off: now the control wiring can be connected.

Note: If no selection is made within 3 s, the software automatically returns to normal operating mode.

5.2 Setting the maximum steam production

To adapt the compactSteam to the specifications characteristics of the environment, the maximum steam production can be set between 20% and 100% of rated production, in steps of 5%. To set the maximum steam production:

1. Turn compactSteam off.
2. Turn compactSteam on again, while holding the two buttons, "reset/sel" and "drain", until the display shows "00" and the wrench symbol  flashes; then release the two buttons.
3. Then hold the "reset/sel" button to scroll the numeric parameters on the display. Hold "reset/sel" for a few seconds until the display shows "01".
WARNING: If the display shows a value higher than "01" do not confirm, but rather press "reset/sel" until the display returns to normal operating mode and start again from point 1
4. Press "drain" for at least 1 second to confirm the value: the display shows "P0" for 1 second and then the value of parameter P0 currently set will be displayed alongside.
5. Pressing "reset/sel" scrolls the value of P0 from 20% to 100% in steps of 5%
6. Press the "drain" button for at least 1 second to confirm the new value of parameter P0 and return to normal operating mode.


Note: If no selection is confirmed within 3 s, the software automatically returns to normal operating mode.


5.3 Manual drain cycle

Holding the "drain" button on the front of the unit activates the manual cylinder drain cycle. Hold the button until the cylinder is empty.

5.4 Resetting the hour counter

The hour counter must be set to zero whenever the cylinder is replaced, so as to cancel and restart the maintenance timer:

1. Turn compactSteam off.
2. Turn compactSteam on again, while holding the two buttons, "reset/sel" and "drain", until the display shows "00" and the wrench symbol  flashes; then release the two buttons.
3. Then hold the "reset/sel" button to scroll the numeric parameters on the display. Hold "reset/sel" for a few seconds until the display shows "03".
WARNING: If the display shows a value higher than "03" do not confirm, but rather press "reset/sel" until the display returns to normal operating mode and start again from point 1
4. Press "drain" for at least 1 second to confirm the value: the hour counter is immediately reset and compactSteam returns to normal operating mode.

 **Note:** If no selection is confirmed within 3 s, the software automatically returns to normal operating mode.

5.5 Alarms

In the event of alarms, the red LED flashes, the alarm relay closes, activating the remote signal (if installed) and the alarm code flashes on the display.

There are two types of alarms: warnings and shutdown alarms. The former can be deleted by pressing the "reset/sel" button for 2 s, while the latter are displayed until maintenance is performed. Multiple alarms flash in sequence, alternating with the main display.

The table below (Tab. 5.a) shows all the alarm codes, with a description of the problems that cause these and the actions required to restore normal operation.

Display	Description	Action	Red LED	Alarm relay	Notes
--	Remote ON/OFF open	Unit disabled	OFF	OFF	Jumper terminals AB-AB
EE	Internal memory error	Contact the service centre	ON	ON	Have the unit reprogrammed by the service centre
E0	Control board configuration not valid	Unit disabled	ON	ON	Have the unit reprogrammed by the service centre
E1	High current alarm	Unit disabled	ON	ON	1) Turn off; 2) Check the connections; 3) Check the cylinder (no bridges of lime scale between the electrodes); 4) Check that the electrodes are not shorted.
E2	Low production, low conductivity of the supply water or excessive foam/lime scale in the cylinder	Unit disabled. Press the "reset/sel" button for 1 second to delete the alarm	ON	ON	Check the conductivity of the supply water and if necessary replace the cylinder with the low conductivity version.
E3	Cylinder almost exhausted, already used for 2000 hrs	Press "reset/sel" key for 1 seconds to reset.	Off	Off	Change cylinder (not urgent)
E4	Fill alarm, water not filling or fill too slow (the current does not increase within the set time)	Press the "reset/sel" button for 1 second to delete the alarm; otherwise, the signal will be automatically reset every 10 minutes until the supply water is available again.	ON	ON	1) Check the water supply and the fill valve; 2) Check for any leaks from the drain pump; 3) Make sure the filter on the fill solenoid valve is not blocked (Fig. 3.g); 4) Check that the steam outlet is not working against excessive backpressure, preventing the flow of water into the cylinder by gravity; 5) Check that the steam outlet hose is not choked or that there are no pockets of condensate; 6) Check that the power cables are connected to the cylinder.
E5	Drain alarm, cannot perform the drain (the current does not decrease within the set time)	Press the "reset/sel" button for 1 second to delete the alarm	ON	ON	1) Make sure the drain pump is not blocked 2) Check that there are no blockages in the drain connection.
E6	Cylinder exhausted (critical performance)	The signal is reset automatically if compactSteam can satisfy demand, otherwise turn the unit off and on again.	OFF	OFF	Replace the cylinder (urgent)
E7	Foam detected	Press the "reset/sel" button for 1 second to delete the alarm	OFF	OFF	If the problem persists, perform a number of cleaning cycles (see chapter 4.4 "Starting with a new cylinder")
E8	Cylinder lifetime expired (3000 hours)	Unit Disabled: Reset the hour counter (read chap. Resetting the hour counter")	On	On	Change the cylinder.
E9	High temperature of the control device (above 80°C / 176°F)	The signal is automatically reset if the temperature falls below 80 °C / 176 °F.	OFF	OFF	Replace the control device.

Tab. 5.a

6. TROUBLESHOOTING

Problem	Cause	Solution
The humidifier does not start	<ol style="list-style-type: none"> 1. No electrical power 2. Humidifier ON/OFF switch in position 0 (off) 3. Control connectors badly connected 4. Broken fuses 5. Controller fault 	<ol style="list-style-type: none"> 1. Check the protection devices upstream from the humidifier and the presence of power 2. Close the ON/OFF switch: position I (on) 3. Check that the connectors are properly inserted in the terminal block 4. Check the condition of the fuses 5. Check that this is activated and the correct voltage is connected
The humidifier does not start	<ol style="list-style-type: none"> 1. Remote ON/OFF contact open 2. The humidistat has not been connected correctly 3. Humidistat fault 4. Control signal not compatible with the type set (see note 5.11) 5. Value measured by the sensor/sensors higher than the corresponding set point 	<ol style="list-style-type: none"> 1. Close the ON/OFF contacts (terminals AB-AB) 2. Check the external connections 3. Replace the humidistat
The humidifier fills with water without producing steam	<ol style="list-style-type: none"> 1. High steam backpressure 2. Fill valve filter blocked 3. Minerals in the fill tank 4. Leaks from the drain pump 	<ol style="list-style-type: none"> 1. Check that the steam hose is not twisted or curved downwards, thus trapping the condensate 2. Clean the fill valve filter 3. Clean the fill tank 4. Check the voltage on the drain pump and/or replace the drain pump
The humidifier wets the duct	<ol style="list-style-type: none"> 1. Distributor not installed correctly (too near the top of the duct or the condensate return is blocked) 2. System oversized 3. Humidifier active when the fan in the duct is off 	<ol style="list-style-type: none"> 1. Check that the steam distributor is installed correctly 2. Decrease the set steam production 3. Check the connection of the device (flow switch or differential pressure switch) slaving the humidifier to the fan in the duct
The humidifier wets the floor below	<ol style="list-style-type: none"> 1. Humidifier drain blocked 2. The supply water or overflow circuit has leaks 3. The condensate drain hose pipe does not carry the water to the tank 4. The steam hose is not fastened to the cylinder correctly 	<ol style="list-style-type: none"> 1. Clean the drain circuit and the fill tank 2. Check the entire water circuit 3. Check the correct position of the condensate drain hose in the drain tank 4. Check the fastening of the hose clamps on the steam outlet
Sparks form inside the cylinder a few hours after starting	<ol style="list-style-type: none"> 1. The supply water contains considerable quantities of iron, copper or other conductive contaminants. 	<ol style="list-style-type: none"> 1. If using a softener, check the salts used. If these contain additives, stop use, rinse all the lines and use non-softened water. 2. Check the electrodes in the cylinder to make sure they have not been damaged during transport.
The cylinder fills with water and drains continually, without producing steam	<ol style="list-style-type: none"> 1. The minerals have formed a bridge between the electrodes. 2. Backpressure from the steam hoses or the duct. 3. The flow controller on the fill valve is broken or not calibrated. 4. High conductivity of the water. 5. Excessive foam forms. 	<ol style="list-style-type: none"> 1. Replace the cylinder. 2. Check if the steam hoses have twists or sags that may trap the condensate. 3. Replace the fill valve. 4. Consider using a mixture of demineralised water and untreated water. 5. Check the cylinder and replace it if exhausted.

Tab. 6a

7. MAINTENANCE

7.1 Periodical checks

- After one hour of operation: check for any water leaks.
- Every fortnight or after no more than 300 operating hours: check for any water leaks and check the general operation of the cylinder. Check that during operation no sparks form between the electrodes.
- Every three months or after no more than 1000 operating hours: check operation, check for any water leaks and, if necessary, replace the cylinder. Check for any blackened parts of the cylinder. If there are blackened parts in the cylinder, check the condition of the electrodes and, if necessary, replace the cylinder.
- Every year or after no more than 2500 operating hours: replace the cylinder.

IMPORTANT: ALWAYS DISCONNECT THE POWER SUPPLY BEFORE PERFORMING ANY MAINTENANCE OPERATIONS

IMPORTANT: Always disconnect the power supply before touching the cylinder in the event of water leaks, as the water may be carrying current.

7.2 Cylinder maintenance

The life of the cylinder depends on several factors, including: the quantity and type of minerals present in the water, the correct operation and sizing of the humidifier, the capacity, as well as regular and careful maintenance.

IMPORTANT WARNINGS:

The humidifier and the cylinder contain live electrical components and very hot surfaces. All service and/or maintenance operations must be carried out by expert and qualified personnel who are aware of the necessary precautions. Before performing any operations on the cylinder, make sure that the humidifier is disconnected from the power supply. Remove the cylinder from the humidifier only after having drained it completely using the "manual drain" procedure described in paragraph 5.3. Check that the model and the power supply voltage of the new cylinder correspond to the data shown on the rating plate.

Replacing the cylinder

IMPORTANT WARNING:

The cylinder may reach high temperatures. Let it cool down before touching it or wear protective gloves.

To replace the cylinder:

- Completely drain the cylinder, holding the "drain" button until the cylinder is empty;
- Turn the humidifier off and disconnect the mains power supply;
- Remove the cover;

Version with injection in the duct:

- Remove the steam hose from the cylinder;
- Lift up the cylinder support bracket and lift it out of the unit (Fig. 7.a);
- Disconnect the steam hose adapter from the cylinder and lift the cylinder out of the unit.
- Disconnect the wiring from the top of the cylinder (Fig. 7.b);
- Install the new cylinder in the humidifier, performing the same operations in the reverse order.

Version with room distribution:

- Unscrew the 2 bolts on the built-in fan;
- Lift up the cylinder support bracket to release it (Fig. 7.a);
- Disconnect the blower from the cylinder and lift the cylinder out of the unit;
- Disconnect the wiring from the top of the cylinder (Fig. 7.b);
- Install the new cylinder in the humidifier, performing the same operations in the reverse order.

WARNING: THE THREADED NUTS THAT FASTEN THE ELECTRICAL CABLES TO THE CYLINDER MUST BE TIGHTENED TO $5 \text{ Nm} \pm 10\%$ ($44 \text{ in-lb} \pm 10\%$) TORQUE TO AVOID THE RISK OF FIRE (Fig. 7.c).

7.3 Maintenance of the other components in the water circuit

IMPORTANT WARNING:

- The power supply must be always disconnected when performing maintenance on the humidifier.
- Do not use detergents or solvents to clean the plastic components;
- Lime scale can be removed using a solution of vinegar or diluted acetic acid and a soft brush; rinse the cylinder completely with fresh water.

Cleaning the fill and drain tempering valve

1. disconnect the power cables and remove the pipes;
2. remove the valve and check the condition of the inlet filter;
3. clean with solution of vinegar or diluted acid and soft brush;
4. rinse with fresh water;
5. replace if necessary.

Cleaning the drain pump

1. disconnect the power cables and remove the pipes;
2. take out the screws and remove the drain pump;
3. clean drain pump with solution of vinegar or diluted acid and soft brush;
4. rinse the pump with fresh water;
5. replace if necessary.

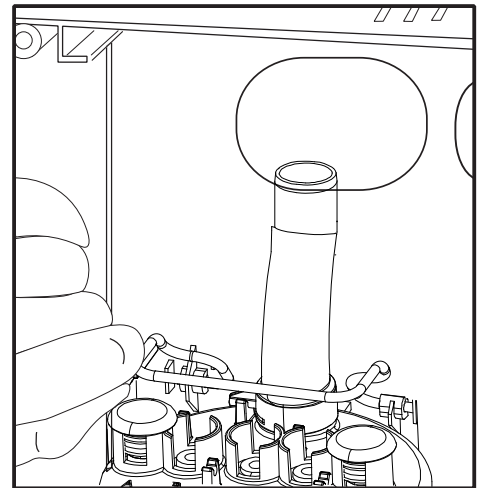


Fig. 7.a

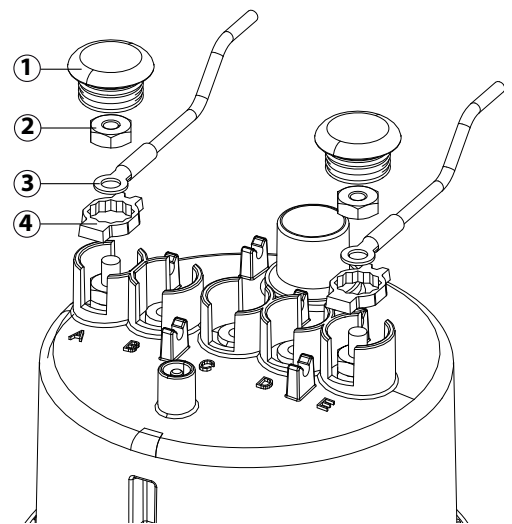


Fig. 7.b

Key:

- 1) Grey cap
- 2) Top nut
- 3) Power terminal
- 4) Retainer

WARNING: RISK OF BURNING/FIRE HAZARD!

Firmly tighten the nut
(44 in-lbs $\pm 10\%$ / 5 Nm $\pm 10\%$)
See diagram below for proper installation.

WARNING!
DO NOT OVERTIGHTEN TERMINAL NUTS

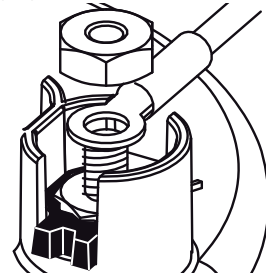


Fig. 7.c

Cleaning the fill tank:

Clean the tank from any mineral deposits and check that the water can flow freely from the tank to the drain through the drain valve. Cleaning the supply, fill and overflow hoses: make sure these are clean and not blocked and replace if necessary.

IMPORTANT WARNING: After having replaced or checked the water circuit, make sure the components have been connected correctly and the right gaskets have been fitted. Restart the humidifier and run a number of cleaning cycles (between 2 and 4, see paragraph 4.4 "Starting with a new cylinder"), then make sure there are no water leaks.

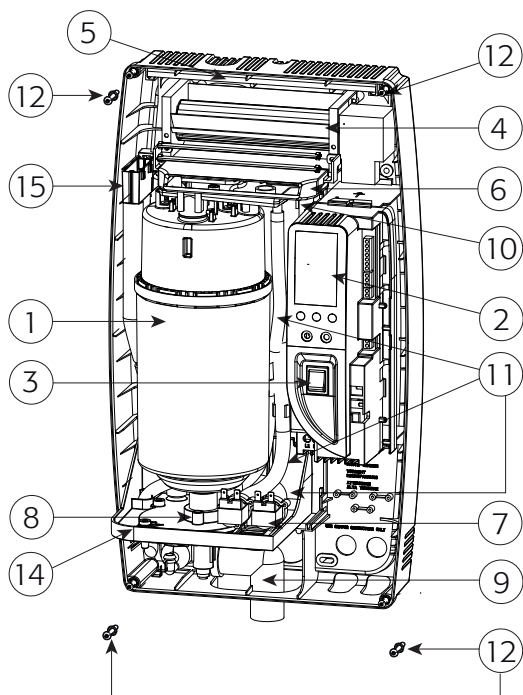


Fig. 7.d

7.4 Spare parts

Item	Component code	Description
1	CYLINDERS SEE TABLE 7b	
2	CHM05V2001	CONTROL MODULE 5.4 kg/h 230V WITH DRAIN PUMP
	CHM03V2001	CONTROL MODULE 3.2 kg/h 230V WITH DRAIN PUM
	CHM01V2001	CONTROL MODULE 1.6 kg/h 230V WITH DRAIN PUMP
	CHM02V1001	CONTROL MODULE 2.5 kg/h 110V WITH DRAIN PUMP
	CHM01V1001	CONTROL MODULE 1.6 kg/h 110V WITH DRAIN PUMP
3	CHKSW16000	ON-OFF SWITCH FOR COMPACTSTEAM
4	CHKFAN1000	FAN KIT 110V
	CHKFAN2000	FAN KIT 230V
5	CHKFLT000	FAN FILTER
6	CHKDIST000	STEAM DISTRIBUTOR KIT
7	CHKFV01001	FILL SOLENOID VALVE + DRAIN TEMPERING 110 V FOR DRAIN PUMP
	CHKFV02001	FILL SOLENOID VALVE + DRAIN TEMPERING 230 V FOR DRAIN PUMP
8	CHKDP01000	KIT FOR DRAIN PUMP 110V
	CHKDP02000	KIT FOR DRAIN PUMP 230V
9	CHKD900000	TUBING TO CONNECT TO DRAIN 90°
10	CHKFT00000	FILL TANK + PLUG FOR DRAIN PUMP
15	CHKDT0000	DRAIN TANK + PLUG FOR DRAIN PUMP
11	CHKTR00001	ROOM TUBING KIT FOR DRAIN PUMP
	CHKTD00001	DUCT TUBING KIT FOR DRAIN PUMP
12	CHKSCREW00	COVER FASTENING SCREWS
14	CHKBT00001	BOTTOM TANK FOR DRAIN PUMP
	CHKCAB0000	WIRING KIT FOR UNIT WITH DRAIN PUMP
	MCH2004850	RS485 KIT
	98C425C001	RS232 - RS485 SERIAL CONVERTER
	CHKADAP000	STEAM CYLINDER HOSE ADAPTER

Tab. 7.a

CYLINDERS

Cylinders (item 1)	Rated steam flow		Vac single-phase	Supply water conductivity (µS/cm)		Notes
CY0S1A0000	3.5 lbs/h	1.6 kg/h	110	normal	350-1250	Default in compactSteam
CY0S1A0000	3.5 lbs/h	1.6 kg/h	110	low	100-350	
CY0S1A0000	5.5 lbs/h	2.5 kg/h	110	normal	350-1250	Default in compactSteam
CY0S1A0000	5.5 lbs/h	2.5 kg/h	110	low	100-350	
CY0S1B0000	3.5 lbs/h	1.6 kg/h	230	normal	350-1250	Default in compactSteam
CY0S1C0000	3.5 lbs/h	1.6 kg/h	230	low	100-350	
CY0S1B0000	7 lbs/h	3.2 kg/h	230	normal	350-1250	Default in compactSteam
CY0S1C0000	7 lbs/h	3.2 kg/h	230	low	100-350	
CY0S1C0000	12 lbs/h	5.4 kg/h	230	normal	350-1250	Default in compactSteam
CY0S1D0000	12 lbs/h	5.4 kg/h	230	low	100-350	

KITCY0FG00

Internal filter and gasket valid for all cylinders

Tab. 7.b

8. TECHNICAL SPECIFICATIONS

Instant steam production; voltage-phase-frequency, kW	1.6 kg/h (3.5 lbs/h): 110 Vac single-phase 50/60 Hz. 1.18 kW 1.6 kg/h (3.5 lbs/h): 230 Vac single-phase 50/60 Hz. 1.18 kW 2.5 kg/h (5.5 lbs/h): 110 Vac single-phase 50/60 Hz. 1.86 kW 3.2 kg/h (7 lbs/h): 230 Vac single-phase 50/60 Hz. 2.36 kW 5.4 kg/h (12 lbs/h): 230 Vac single-phase 50/60 Hz. 4.05 kW	Notes
Steam outlet diameter	22 mm	
Outlet pressure limits (Pa/mmWC/PSI /inWC)	950 Pa/95 mm WC/0.014 PSI / 3.7 in WC	Duct only
Dimensions (mm / inch)	600 x 341 x 204 mm (24" x 14" x 8")	(Height x Width x Depth)
Weight empty/package/installed with water	8/10/12 kg 18/22/26 lbs.	
IP	IP20	
Power cables	12 AWG	
Power relay	2 x 30 A	On board
Earth connection	Screw	
Type of water introduced	Drinking water	Do not use demin. or softened water
Range of conductivity	100-1250 µS/cm	Special cylinders for cond. < 350
Water fill connection	¾" G	Adapter to ¾" FPS
Instant water fill flow-rate	0.6 l/min 0.16 gpm	
Drain connection	32 mm (1.25")	Adjustable from horizontal to vertical. From rear or bottom of unit.
Drain water temperature	< 60°C < 140°F	Drain tempering device
Drain flow 50Hz l/min (gpm)	max. 25 l/min (max. 6.6 gpm)	
Drain flow 60Hz l/min (gpm)	max. 26.2 l/min (max. 7 gpm)	
Built-in fan flow	120 m³/h 71 cfm 50 dB	Direct distribution in room only
ambient operating temp. °C (°F)	1...40 (33.8...104)	
ambient operating humidity (% rH)	10...60	
storage temperature °C (°F)	-10...70 (14...158)	
probe inputs (general features)	If programmed: ON_OFF (Default): Vmax=33Vdc, Imax=5mA, Rmax=300 Ohm If programmed 0...10V: input impedance 10Kohm	
remote enable input	voltage-free contact; max. resistance 300 Ω; Vmax= 33 Vdc; Imax= 6 mAdc; umidificatore abilitato= contatto chiuso. Richiede una connessione esterna	
alarm relay outputs (general features)	250 V 8 A with resistive load (4 A max with inductive load)	
External Relay	250 V 8 A with resistive load (4 A max with inductive load)	
Alimentazione per umidostato esterno	Alimentazione elettrica per umido stato esterno 24Vac ;2Watt	
Serial communication	RS485	

Tab. 8.a

Limited warranty

All products manufactured by CAREL Industries are guaranteed to the original purchaser to be free from defects in materials and workmanship in the course of normal and reasonable use for a period of 2 years from the date of shipment. The humidifier spare parts are guaranteed for 90 days from the date of the invoice. The components replaced under warranty are guaranteed for the remaining duration of the original warranty or for 90 days, whichever is longer, as long as the product has been installed and operated in accordance with all appropriate manuals and wiring diagrams, and started up by a qualified CAREL Industries technician. Any product or part that is found to be defective will, at the option of CAREL Industries be replaced or repaired. CAREL Industries reserves the right to inspect any part or installation before replacing or repairing defective parts. After startup of the product, labour for repairs or replacement of parts is not covered by this warranty. Replacement of routinely replaceable parts such as steam cylinders and gaskets are not covered by this warranty. CAREL Industries assumes no liability for consequential or inconsequential damage, or damage due to negligence or improper use. Under the terms of this warranty, the original purchaser may have certain legal rights and other rights, which may vary from state to state. The warranty is void if the product is damaged due to negligence, mishandling or improper use, or if the product label is missing. CAREL Industries shall repair or replace the products within two (2) months of receiving the returned goods.

CAREL reserves the right to modify or change its products without prior warning.

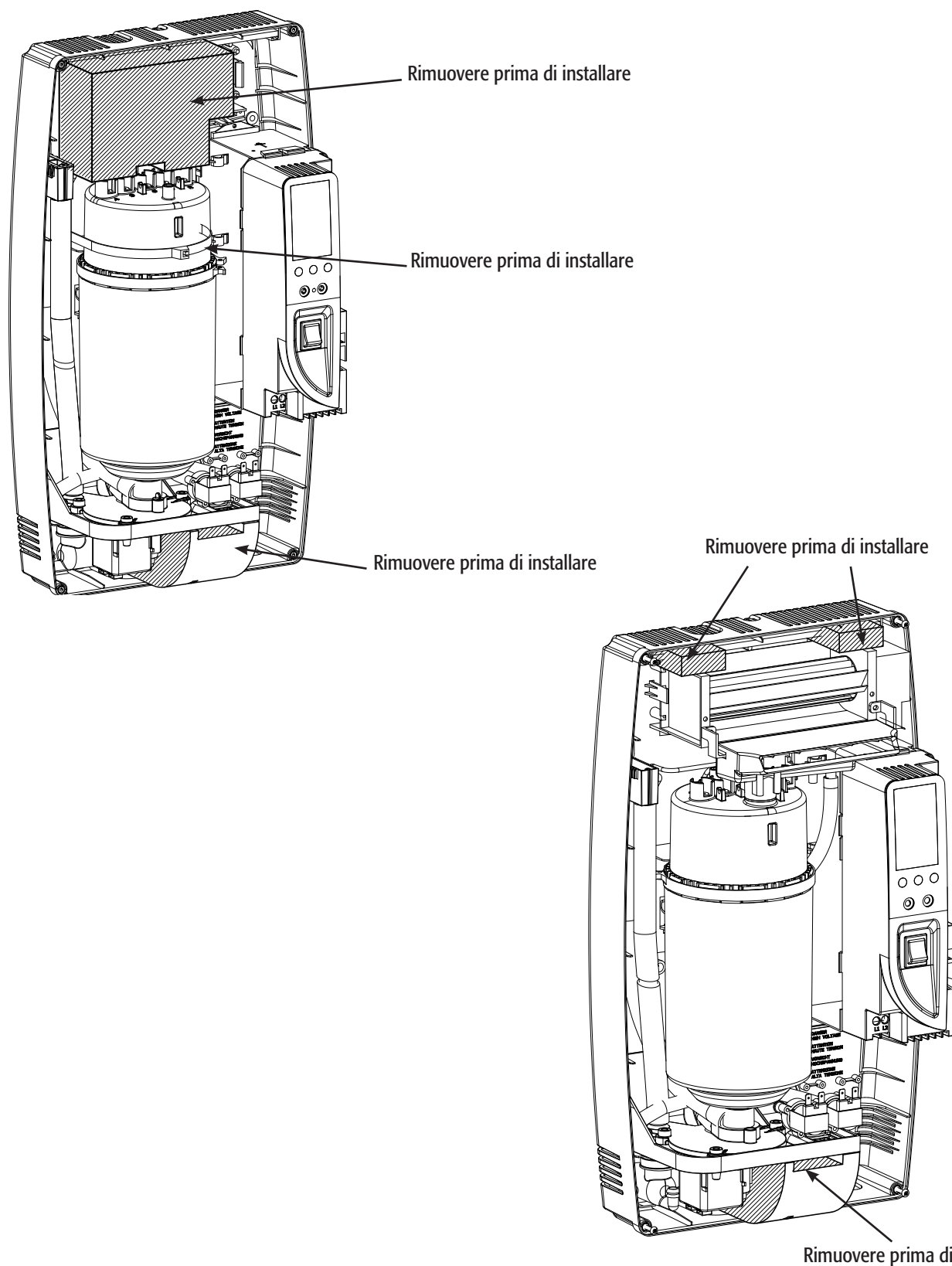
Manuale d'uso



Avvertenza

Qualora presenti, rimuovere i seguenti elementi:

Chiudere il fermo del cilindro



AVVERTENZE



Gli umidificatori CAREL Industries sono prodotti avanzati, il cui funzionamento è specificato nella documentazione tecnica fornita col prodotto o scaricabile, anche anteriormente all'acquisto, dal sito internet www.carel.com. Ogni prodotto CAREL Industries, in relazione al suo avanzato livello tecnologico, necessita di una fase di qualifica/configurazione/programmazione affinché possa funzionare al meglio per l'applicazione specifica. La mancanza di tale fase di studio, come indicata nel manuale, può generare malfunzionamenti nei prodotti finali di cui CAREL Industries non potrà essere ritenuta responsabile. Il cliente (costruttore, progettista o installatore dell'equipaggiamento finale) si assume ogni responsabilità e rischio in relazione alla configurazione del prodotto per il raggiungimento dei risultati previsti in relazione all'installazione e/o equipaggiamento finale specifico. CAREL Industries in questo caso, previ accordi specifici, può intervenire come consulente per la buona riuscita della installazione/start-up macchina/utilizzo, ma in nessun caso può essere ritenuta responsabile per il buon funzionamento dell'umidificatore ed impianto finale qualora non siano state seguite le avvertenze o raccomandazioni descritte in questo manuale o in altra documentazione tecnica del prodotto. In particolare, senza esclusione dell'obbligo di osservare le anzidette avvertenze o raccomandazioni, per un uso corretto del prodotto si raccomanda di prestare attenzione alle seguenti avvertenze:

• PERICOLO SCOSSE ELETTRICHE

L'umidificatore contiene componenti sotto tensione elettrica. Togliere l'alimentazione di rete prima di accedere a parti interne o in caso di manutenzione e durante l'installazione.

• PERICOLO PERDITE D'ACQUA

L'umidificatore carica/scarica automaticamente e costantemente quantità d'acqua. Malfunzionamenti nei collegamenti o nell'umidificatore possono causare perdite.

• PERICOLO DI USTIONE

L'umidificatore contiene componenti ad alta temperatura, ed eroga vapore a 100°C/ 212°F.



Attenzione:

- L'installazione del prodotto deve obbligatoriamente comprendere una connessione di terra, utilizzando l'apposito morsetto di colore giallo-verde presente nell'umidificatore.
- Condizioni ambientali e tensione di alimentazione devono essere conformi ai valori specificati nelle etichette 'dati di targa' del prodotto.
- Il prodotto è progettato esclusivamente per umidificare ambienti in modo diretto o mediante sistemi di distribuzione (condotte).
- Installazione, utilizzo e manutenzione devono essere eseguite da personale qualificato, consapevole delle precauzioni necessarie e in grado di effettuare correttamente le operazioni richieste.
- Per la produzione di vapore si deve utilizzare esclusivamente acqua con caratteristiche indicate nel presente manuale.
- Tutte le operazioni sul prodotto devono essere eseguite secondo le istruzioni contenute nel presente manuale e nelle etichette applicate al prodotto. Usi e modifiche non autorizzati dal produttore sono da considerarsi impropri. CAREL Industries non si assume alcuna responsabilità per tali utilizzi non autorizzati.
- Non tentare di aprire l'umidificatore in modi diversi da quelli indicati nel manuale.
- Attenersi alle normative vigenti nel luogo in cui si installa l'umidificatore.
- Tenere l'umidificatore fuori dalla portata di bambini e animali.
- Non installare e utilizzare il prodotto nelle vicinanze di oggetti che possono danneggiarsi a contatto con l'acqua (o condensa d'acqua). CAREL Industries declina ogni responsabilità per danni conseguiti o diretti a seguito di perdite d'acqua dell'umidificatore.
- Non utilizzare prodotti chimici corrosivi, solventi o detersivi aggressivi per pulire le parti interne ed esterne dell'umidificatore, salvo non vi siano indicazioni specifiche nei manuali d'uso.
- Non fare cadere, battere o scuotere l'umidificatore, poiché le parti interne e di rivestimento potrebbero subire danni irreparabili.

CAREL Industries adotta una politica di continuo sviluppo. Pertanto si riserva il diritto di effettuare modifiche e miglioramenti a qualsiasi prodotto descritto nel presente documento senza preavviso. I dati tecnici presenti nel manuale possono subire modifiche senza obbligo di preavviso.

La responsabilità di CAREL Industries in relazione al proprio prodotto è regolata dalle condizioni generali di contratto CAREL Industries pubblicate nel sito www.carel.com e/o da specifici accordi con i clienti; in particolare, nella misura consentita dalla normativa applicabile, in nessun caso CAREL Industries, i suoi dipendenti o le sue filiali/ affiliate saranno responsabili di eventuali mancati guadagni o vendite, perdite di dati e di informazioni, costi di merci o servizi sostitutivi, danni a cose o persone, interruzioni di attività, o eventuali danni diretti, indiretti, incidentali, patrimoniali, di copertura, punitivi, speciali o consequenziali in qualunque modo causati, siano essi contrattuali, extra contrattuali o dovuti a negligenza o altra responsabilità derivanti dall'utilizzo del prodotto o dalla sua installazione, anche se CAREL Industries o le sue filiali/affiliate siano state avvisate della possibilità di danni.

SMALTIMENTO



L'umidificatore è composto da parti di metallo e parti di plastica. In riferimento alla Direttiva 2002/96/CE del Parlamento Europeo e del Consiglio del 27 gennaio 2003 e alle relative normative nazionali di attuazione, Vi informiamo che:

1. sussiste l'obbligo di non smaltire i RAEE come rifiuti urbani e di effettuare, per detti rifiuti, una raccolta separata;
2. per lo smaltimento vanno utilizzati i sistemi di raccolta pubblici o privati previsti dalla legge locali. È inoltre possibile riconsegnare al distributore l'apparecchiatura a fine vita in caso di acquisto di una nuova;
3. questa apparecchiatura può contenere sostanze pericolose: un uso improprio o uno smaltimento non corretto potrebbe avere effetti negativi sulla salute umana e sull'ambiente;
4. il simbolo (contenitore di spazzatura su ruote barrato) riportato sul prodotto o sulla confezione e sul foglio istruzioni indica che l'apparecchiatura è stata immessa sul mercato dopo il 13 Agosto 2005 e che deve essere oggetto di raccolta separata;
5. in caso di smaltimento abusivo dei rifiuti elettrici ed elettronici sono previste sanzioni stabilite dalle vigenti normative locali in materia di smaltimento.

Garanzia sui materiali: 2 anni (dalla data di produzione, escluse le parti di consumo).

Omologazioni: la qualità e la sicurezza dei prodotti CAREL Industries sono garantite dal sistema di progettazione e produzione certificato ISO 9001, nonché

dal marchio  

Indice

1. FUNZIONAMENTO DEL COMPACTSTEAM	9
1.1 Fasi di funzionamento	9
1.2 Vita del cilindro	10
2. MODELLI	11
3. INSTALLAZIONE	12
3.1 Posizionamento	12
3.2 Montaggio.....	12
3.3 Caratteristiche dell'acqua di alimentazione	14
3.4 Acqua di drenaggio.....	14
3.5 Collegamenti idraulici.....	14
3.6 Distribuzione del vapore	15
3.7 Collegamenti elettrici.....	18
3.8 Cablaggio di potenza.....	18
3.9 Cablaggio di comando.....	18
3.10 Funzionamento ON/OFF.....	19
3.11 Funzionamento modulante.....	20
3.12 Collegamento dell'umidostato CLIMA.....	20
3.13 Collegamenti dei cablaggi.....	20
4. AVVIO	21
4.1 Verifiche all'avvio	21
4.2 Dispositivo di controllo di compactSteam.....	21
4.3 Avvio di compactSteam	21
4.4 Avvio con un nuovo cilindro.....	21
5. AZIONAMENTO DEL COMPACTSTEAM	22
5.1 Visualizzazione di informazioni.....	22
5.2 Modifica della produzione massima di vapore.....	22
5.3 Attivazione dello scarico manuale.....	22
5.4 Ripristino del contaore.....	23
5.5 Allarmi.....	23
6. RICERCA GUASTI	24
7. MANUTENZIONE	25
7.1 Controlli periodici.....	25
7.2 Manutenzione del cilindro.....	25
7.3 Pezzi di ricambio	26
8. CARATTERISTICHE TECNICHE	27

1. FUNZIONAMENTO COMPACTSTEAM

Gamma di umidificatori isotermici per la produzione di vapore in ambiente. Il vapore è prodotto attraverso l'acqua contenuta nel cilindro interno (collegato alla rete idrica). L'acqua bolle ed evapora per mezzo della corrente elettrica generata da due elettrodi immersi nel cilindro.

1.1 Fasi di funzionamento

- l'umidificatore apre la valvola di carico (1) collegata alla rete idrica;
- l'acqua scorre nel tubo (2) fino alla vaschetta (3), il limitatore di flusso (4) regola velocità di riempimento;
- quando la vaschetta è carica, l'acqua trabocca nel tubo (6) e inizia a riempire il cilindro (5);
- raggiunto il livello d'acqua nel cilindro, l'umidificatore chiude la valvola di carico (1);
- la corrente generata dagli elettrodi immersi nel cilindro (7) riscalda fino a bollire l'acqua;
- il vapore esce dal cilindro attraverso l'uscita vapore (8) e - a seconda del modello di umidificatore - viene distribuito direttamente in ambiente (attraverso un ventilatore interno), o in condotta (attraverso una linea di tubazione).



Note:

- se l'acqua nel cilindro supera il sensore di livello (9), l'umidificatore apre la pompa di scarico (11) e svuota la quantità in eccesso;
- se la corrente generata nel cilindro raggiunge livelli superiori a quelli richiesti, l'umidificatore apre la pompa di scarico (11) e scarica la quantità d'acqua necessaria per ripristinare il livello di corrente;
- prima di svuotare l'umidificatore aziona la valvola miscelatrice (10) per raffreddare l'acqua a 60°C/140°F;
- l'umidificatore controlla automaticamente la quantità di sali minerali disciolti nell'acqua agendo sulla valvola di carico (1) e pompa di scarico (11);
- il cilindro è dotato di un filtro (12) per impedire la fuoriuscita di frammenti di minerali che possono ostruire la pompa di scarico (11);
- se l'umidificatore è in stand-by e non produce vapore per più di 3 giorni (72 ore) l'acqua nel cilindro viene svuotata automaticamente;
- la vaschetta di carico (3) è collegata ad un tubo di "troppo pieno" (13) per impedire contatti tra l'acqua della rete idrica e quella nel cilindro;
- l'intensità di corrente presente nel cilindro è controllata dal dispositivo interno TAM (trasformatore amperometrico) collegato elettricamente agli elettrodi (7).

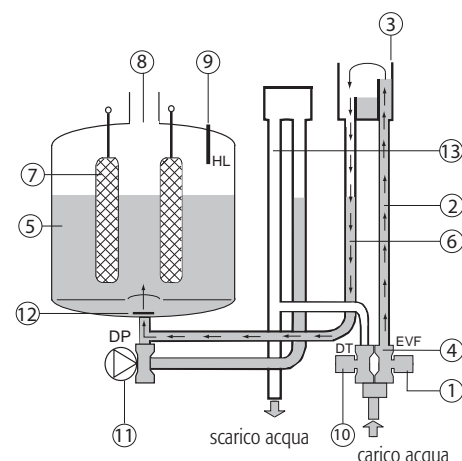


Fig. 1.a

Legenda

1	valvola di carico
2	tubo di carico
3	vaschetta di carico
4	limitatore di flusso
5	cilindro
6	tubo di riempimento cilindro
7	elettrodi immersi
8	uscita vapore
9	sensore di livello
10	valvola miscelatrice
11	pompa di scarico
12	filtro acqua di scarico
13	tubo di "troppo pieno"

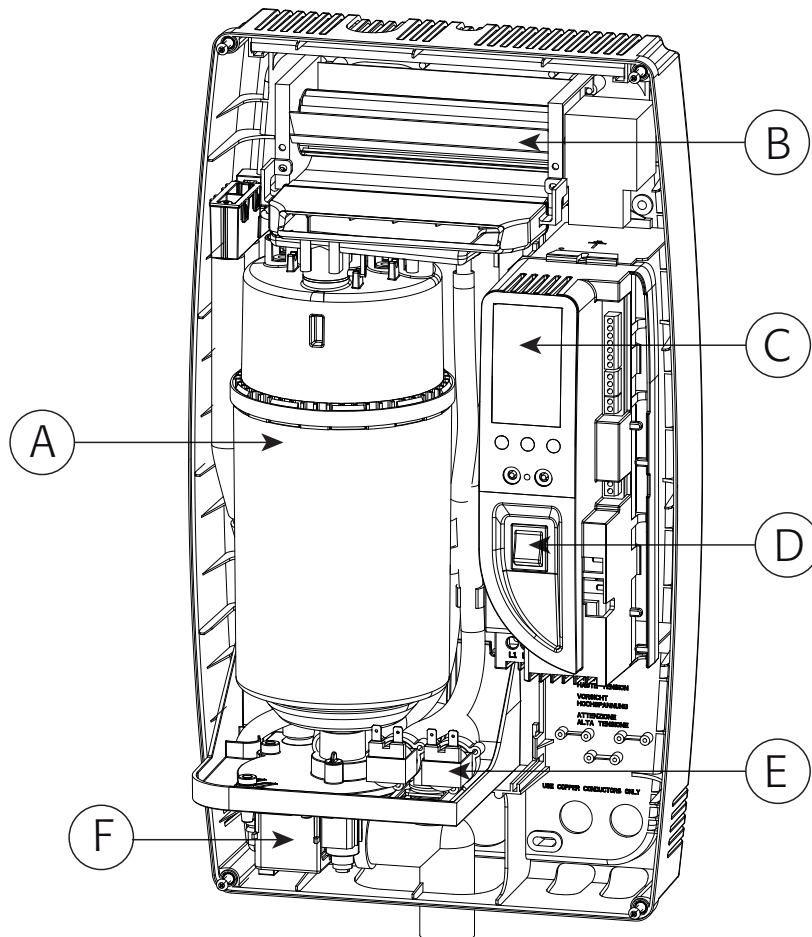


Fig. 1.b

No	Descrizione
A	Cilindro generatore di vapore
B	Distributore di vapore ventilato (opzionale)
C	Interfaccia utente/display
D	Pulsante di accensione/spengimento
E	Valvole di carico e di miscelazione
F	Pompa di scarico

Tab. 1.a

1.2 Vita del cilindro

Informazioni di base

Il cilindro in plastica contenete gli elettrodi è l'elemento più importante dell'umidificatore. Nel cilindro, durante il funzionamento, l'acqua viene fatta bollire producendo vapore. Siccome il vapore non trascina con sé i minerali disciolti nell'acqua, la loro concentrazione aumenta con la quantità di vapore prodotto; inoltre una parte dei sali (soprattutto bicarbonati di Calcio e Magnesio) tendono ad incrostare gli elettrodi fino al loro isolamento elettrico. Man mano che una parte di elettrodi si ricopre di calcare, il livello dell'acqua nel cilindro viene innalzato così che una nuova porzione di elettrodi pulita può condurre la corrente. Alla fine gli elettrodi risulteranno completamente coperti di calcare e non riusciranno più a condurre la corrente necessaria per produrre vapore. Il controllo dell'umidificatore è in grado di rilevare il basso livello di corrente tra gli elettrodi e segnala che la vita del cilindro si è esaurita visualizzando a display il codice di allarme E6. Diversi fattori influenzano la vita del cilindro, che può quindi variare da 500 a 2000 ore di funzionamento.

Vita del cilindro e caratteristiche dell'acqua

Le caratteristiche dell'acqua, che variano molto a seconda del luogo in cui ci si trova, influenzano profondamente la vita del cilindro. Le caratteristiche più importanti sono la quantità di minerali disciolti nell'acqua e la loro composizione. Se ad esempio il contenuto di bicarbonati di Calcio e Magnesio è elevato si ha la formazione di pesanti incrostazioni e quindi un rapido esaurimento della vita del cilindro. Se invece nell'acqua vi è una forte presenza di cloruri possono verificarsi corrosioni con eventuali scariche elettriche tra gli elettrodi.

Vita del cilindro e carico di umidità

Il carico di umidità richiesto influenza la vita del cilindro. Nelle normali installazioni, dove il carico di umidità è correttamente stimato, l'umidificatore funzionerà al massimo della sua capacità solamente per brevi e intermittenti periodi. In questo modo il livello dell'acqua all'interno del cilindro viene innalzato solamente per compensare l'accumulo di calcare e questo tende a massimizzare la vita del cilindro.

In installazioni particolari, che richiedono costantemente la massima produzione di vapore, la vita del cilindro si riduce perché il livello dell'acqua è generalmente più alto e quindi gli elettrodi si ricoprono di calcare più velocemente. In tali applicazioni la vita del cilindro potrebbe essere inferiore alle 1000 ore di funzionamento. È quindi estremamente importante stimare correttamente la capacità dell'umidificatore in relazione al carico di umidità richiesto.

Vita del cilindro e massima produzione

Un altro fattore che influenza la vita del cilindro è la massima produzione di vapore impostabile sulla macchina. Più la produzione di vapore è impostata su livelli elevati, più breve sarà la vita del cilindro e viceversa. Per questo motivo, nei modelli CH*05****, le impostazioni di fabbrica prevedono una produzione massima effettiva impostata al 70% della produzione massima nominale. La figura 1.c mostra qualitativamente il rapporto tra la produzione massima di vapore e la vita del cilindro.

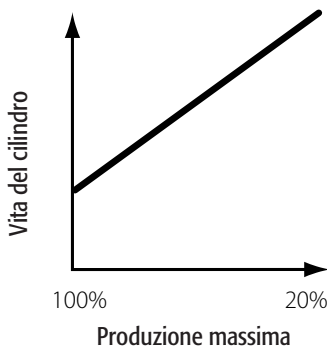


Fig.1.c

2. MODELLI

Gli umidificatori compactSteam sono disponibili in due modelli:

Distribuzione del vapore in condotta



Fig.2.a

Diffusione diretta nell'ambiente



Fig.2.b

compactSteam è prodotto in svariati modelli che si differenzia per capacità (kg di vapore prodotti ogni ora) e tensione (la scelta della tensione dipende dalla rete nazionale). Ogni modello è identificato da un codice alfanumerico di 10 caratteri. Di seguito viene riportato il significato di ciascun carattere:

CH m ss c v xx r

CH significa compactSteam Humidifier (umidificatore compactSteam) ed è un campo fisso;

m = modello: 0 per iniezione in condotta, F per diffusione diretta nell'ambiente;

ss = flusso nominale di vapore in kg/h (consultare la tabella a pagina 27 per l'elenco completo del flusso nominale di vapore);

c = tipo di controllo: V = controllo ON/OFF o proporzionale 0...10 Vdc;

v = alimentazione elettrica: 1 = 110 VAC monofase, 2 = 230 VAC monofase;

xx = personalizzazione o xH = pacchetto completo (compactSteam + CLIMA);

r = versione.

Esempi:

CH002V1001: compactSteam per iniezione in condotta (m = 0),
flusso nominale di vapore 5.5 libbre/ora / 2.5kg/h (ss = 02),
110 VAC monofase (v = 1),
non personalizzato, (xx = 00),
versione 1 (r = 1, con pompa di scarico)

Nota: alcuni modelli potrebbero non essere disponibili in tutte le regioni.

3. INSTALLAZIONE

Distribuzione di vapore in condotta

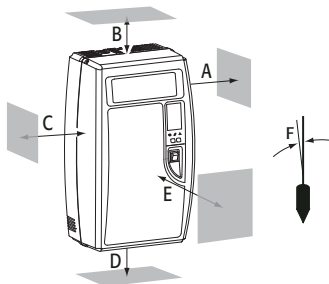


Fig. 3.a

	Millimetri	Pollici
A	150 mm	6"
B	150 mm	6"
C	150 mm	6"
D	150 mm	6"
E	600 mm	24"
F	max. 0.2	

Tab. 3.a

3.1 Posizionamento

- Il compactSteam è progettato per il montaggio a parete;
- per garantire una corretta distribuzione del vapore, posizionare l'umidificatore vicino al punto da cui dev'esser distribuito il vapore;
- posizionare l'umidificatore verticale, osservando gli spazi minimi (vedi Fig.3.a e Tab. 3.a per l'installazione del modello da condotta e Fig. 3.b e Tab. 3.b per il modello da ambiente) per garantire la sicurezza e consentire le operazioni di manutenzione necessarie.

3.2 Montaggio

Rimozione del coperchio anteriore

Il coperchio anteriore è fissato al corpo macchina mediante quattro viti, con impronta a croce, situate nei quattro angoli dell'apparecchio. Utilizzare un cacciavite per svitare le quattro viti del coperchio come mostrato in fig. 3.d, quindi rimuovere il coperchio tirandolo semplicemente verso di voi (fig. 3.e). Per riapplicarlo eseguire le stesse operazioni in ordine inverso.

Prestare attenzione a non serrare eccessivamente le viti.

Diffusione diretta nell'ambiente

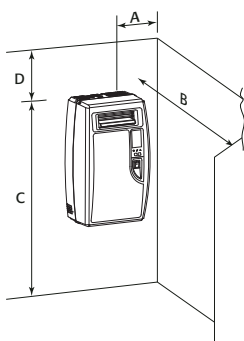


Fig. 3.b

	Millimetri	Pollici
A	150 mm	6"
B	1500 mm	60"
C	1800 mm	72"
D	600 mm	24"

Tab. 3.b

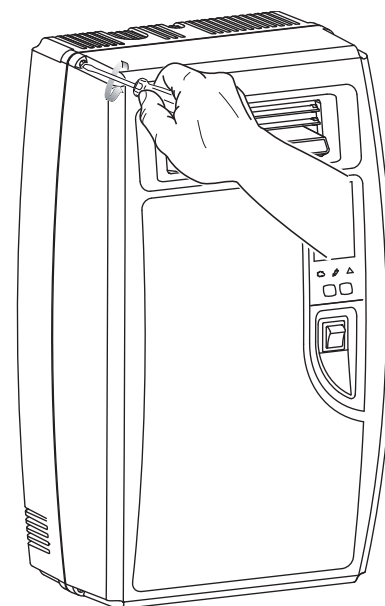


Fig. 3.d

Dimensioni dell'apparecchio (per tutti i modelli):

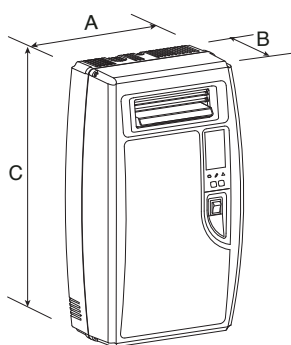


Fig. 3.c

	Millimetri	Pollici
A	341 mm	13.4"
B	204 mm	8.1"
C	600 mm	23.7"

	Kilogrammi	Libbre
Peso da vuoto	8 kg	18 lib
Peso imballato	10 kg	22 lib
Peso installato con acqua	12 kg	26 lib

Tab. 3.c

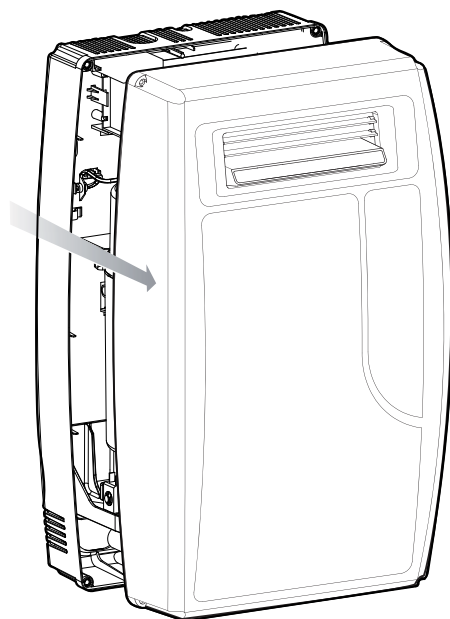


Fig. 3.e

Fissaggio a parete

Istruzioni per il fissaggio a parete:

1. Praticare i fori sulla parete in base alla dima di foratura in dotazione;
2. fissare saldamente il compactSteam alla parete mediante le viti e i dispositivi di ancoraggio in dotazione.

La fig 3.f mostra le misure in mm (in pollici tra parentesi) necessarie per eseguire il fissaggio a parete.

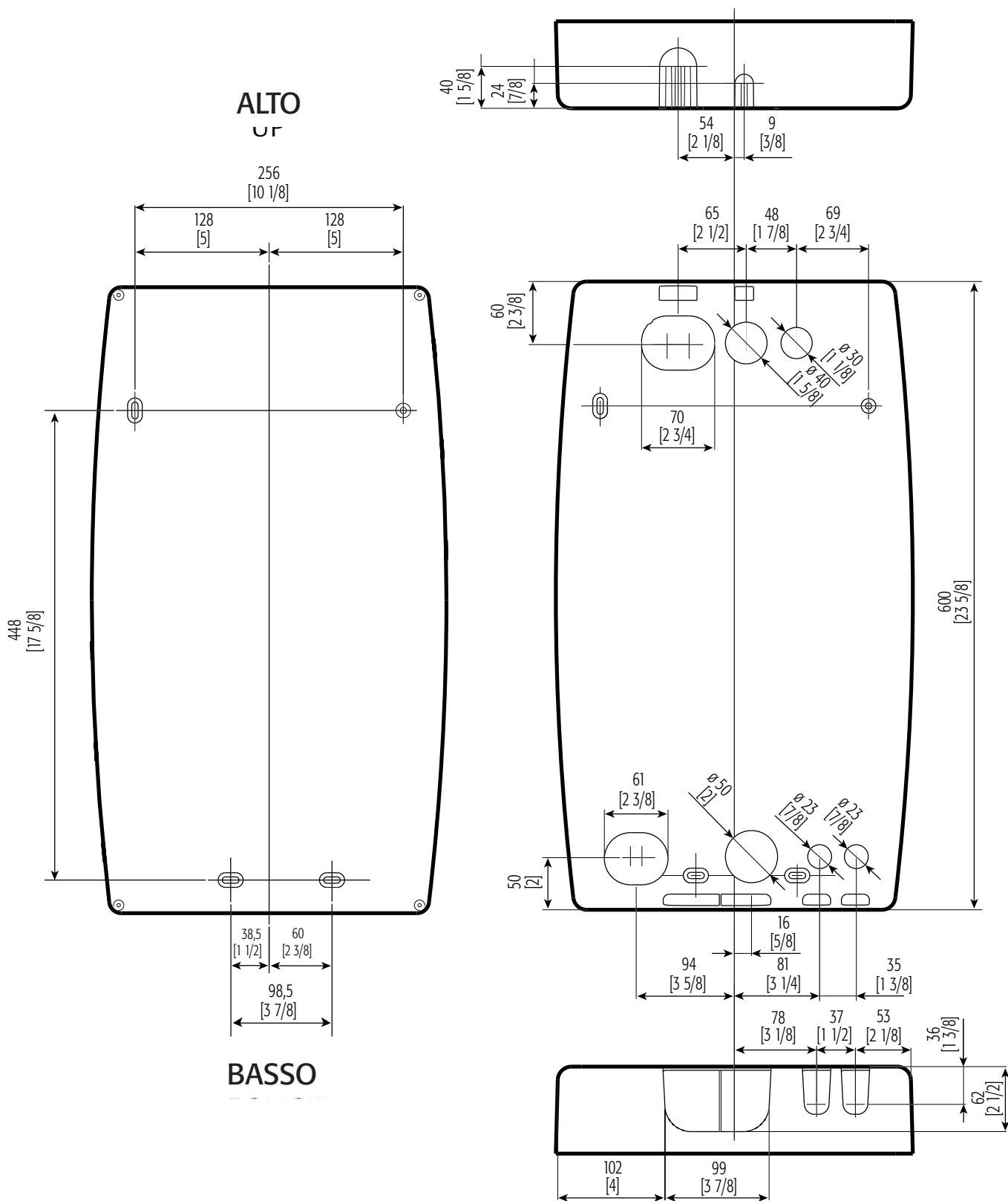


Fig. 3.f

3.3 Caratteristiche dell'acqua di alimentazione

Utilizzare solo acqua di acquedotto con:

- pressione compresa tra 20psi e 110psi , o 0.1 e 0.8 MPa, (1 e 8 bar);
- temperatura compresa tra 33°F e 104°F o 1°C e 40°C;
- portata istantanea non inferiore a 0.45 L/min o 0.12gpm;
- connessione è di tipo 3/4" G (vedi cap. 8 'Caratteristiche tecniche');
- durezza non superiore a 40 °fH (pari a 400 ppm come CaCO₃);
- intervallo di conducibilità: 100...1250 µS/cm;
- assenza di composti organici.

Le caratteristiche delle acque di alimento devono rientrare entro i seguenti limiti:

caratteristiche acqua di alimentazione	unità di misura	acque normali		acque a basso contenuto di sali	
		min.	max.	min.	max.
Attività ioni idrogeno (pH)		7	8,5	7	8,5
Conducibilità specifica a 20 °C ($\sigma_{R,20^{\circ}C}$)	µS/cm	350	1250	100	350
Solidi totali disciolti (C_R)	mg/l	(1)	(1)	(1)	(1)
Residuo fisso a 180 °C (R_{180})	mg/l	(1)	(1)	(1)	(1)
Durezza totale (TH)	mg/l CaCO ₃	100 (2)	400	50 (2)	160
Durezza temporanea	mg/l CaCO ₃	60 (3)	300	30 (3)	100
Ferro + Manganese	mg/l Fe+Mn	=	0,2	=	0,2
Cloruri	ppm Cl	=	30	=	20
Silice	mg/l SiO ₂	=	20	=	20
Cloro residuo	mg/l Cl ₂	=	0,2	=	0,2
Solfato di Calcio	mg/l CaSO ₄	=	100	=	60
Impurità metalliche	mg/l	0	0	0	0
Solventi, diluenti, detersivi, lubrificanti	mg/l	0	0	0	0

Tab. 3.d

⁽¹⁾= valori dipendenti dalla conducibilità specifica; in genere:

$$C_R \cong 0.93 * \sigma_{R,20^{\circ}C}; R_{180} \cong 0.65 * \sigma_{R,20^{\circ}C}$$

⁽²⁾= non inferiore al 200% del contenuto di cloruri in mg/l Cl

⁽³⁾= non inferiore al 300% del contenuto di cloruri in mg/l Cl

Non esiste alcuna relazione attendibile tra durezza e conducibilità dell'acqua



Attenzione:

non effettuare trattamenti dell'acqua con addolcitori, possono causare la formazione di schiuma, compromettendo il funzionamento della macchina;
non aggiungere sostanze disinfettanti o composti anticorrosivi nell'acqua, poiché potenzialmente irritanti;
è sconsigliato l'uso d'acqua di pozzo, industriale oppure prelevata da circuiti di raffreddamento e, in generale, di acqua potenzialmente inquinata (chimicamente o batteriologicamente).

3.4 Acqua di drenaggio

- contiene le stesse sostanze disciolte nell'acqua d'alimentazione, ma in quantità maggiori;
- viene raffreddata a 60°C / 140°F miscelandola con acqua di alimentazione;
- non è tossica e può essere drenata nel sistema di raccolta delle acque bianche.

3.5 Collegamenti idraulici

Prima di procedere assicurarsi che l'umidificatore sia scollegato dalla rete elettrica.

Collegamento alla rete idrica

Predisporre una valvola manuale a monte dell'impianto per poter assicurare l'interruzione dell'acqua di alimentazione come illustrato in fig. 3.h. Collegare l'umidificatore alla rete idrica mediante un tubo flessibile, in grado di assorbire il colpo d'ariete dell'acqua per evitare di danneggiare la valvola di carico. I tubi flessibili sono identificati dai seguenti codici CAREL: FWH3415000 (lunghezza 1,5 m / 4ft), FWH3 430000 (lunghezza 3 m / 9.5ft). In alternativa è possibile utilizzare un tubo flessibile che abbia un diametro interno minimo di 6 mm (1/4"). Qualora si utilizzi una tubatura in polimero morbido, è opportuno assicurarne il fissaggio a muro per evitarne il distacco dal raccordo di carico ed evitare perdite di acqua. Il raccordo filettato della valvola di carico è situato nella parte inferiore dell'umidificatore (vedi fig. 3.g). Si ricorda che all'interno della valvola di carico è presente un filtro che richiede pulizia periodica. Accertarsi quindi che sussista sufficiente spazio di accesso per le operazioni di manutenzione. E' possibile condurre il tubo di allacciamento alla linea dell'acqua sia attraverso i fori nello schienale posteriore (in modo che rimangano nascosti dietro la macchina) che attraverso quelli nella parte inferiore dell'apparecchio.



ATTENZIONE: Ad installazione ultimata spurgare la tubazione d'alimentazione per circa 30 minuti convogliando l'acqua direttamente nello scarico senza introdurla nell'umidificatore. Ciò per eliminare eventuali scorie e sostanze di lavorazione, che potrebbero intasare la valvola di carico e provocare schiuma durante l'ebollizione.

Scarico dell'acqua

Oltre al collegamento alla rete idrica il compactSteam necessita anche di un collegamento ad un tubo di scarico che permetta alla macchina di scaricare l'acqua all'interno del cilindro ogni qualvolta sia necessario. La tubazione di scarico può essere collegata dalla parte posteriore (come indicato in fig. 3.i) o dalla parte inferiore dell'apparecchio mediante il raccordo angolare in dotazione (fig. 3.g e 3.h).

Le caratteristiche della linea di scarico sono indicate nella tab. 3.e.

La tubazione di scarico, deve avere un diametro minimo interno di 32 mm (1-1/4") e deve essere fissata alla bocchetta di scarico dell'umidificatore in modo da sostenersi da se. È necessario garantire una pendenza minima del tubo di scarico maggiore o uguale a 5° ed è indispensabile installare un sifone per evitare il ritorno di odori come illustrato in fig. 3.h e 3.i.

Si raccomanda inoltre di predisporre un imbuto per garantire un'interruzione di continuità nella tubatura di drenaggio ed evitare allagamenti all'interno dell'apparecchio.

Il compactSteam è dotato di una valvola miscelatrice che, aprendosi contemporaneamente alla pompa di scarico, immette acqua di alimentazione fredda nella linea di scarico in modo da garantire una temperatura massima dell'acqua di scarico di 60°C /140°F.

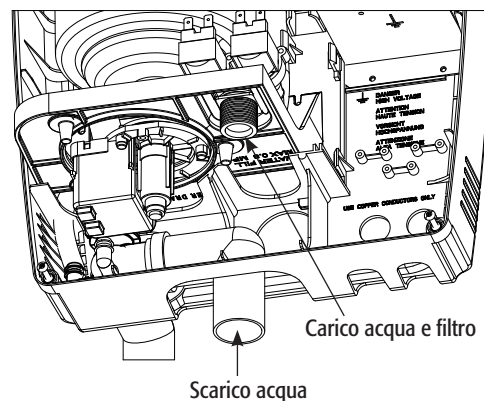


Fig. 3.g

Flusso scarico istantaneo 50Hz	25 l/min / 6,6 gpm
Flusso scarico istantaneo 60Hz	26,2 l/min / 7 gpm
Diametro nominale di connessione	32 mm / 1-1/4"
Temperatura di scarico	60 °C / 140 °F

Tab. 3.e

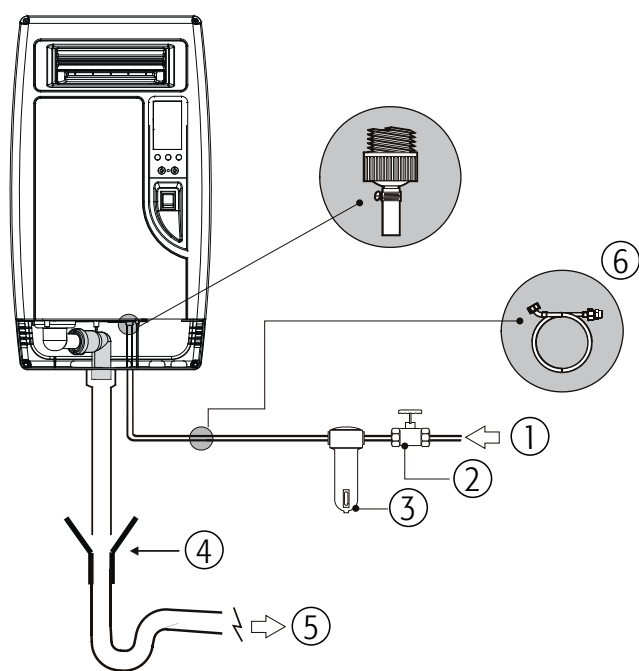


Fig. 3.h

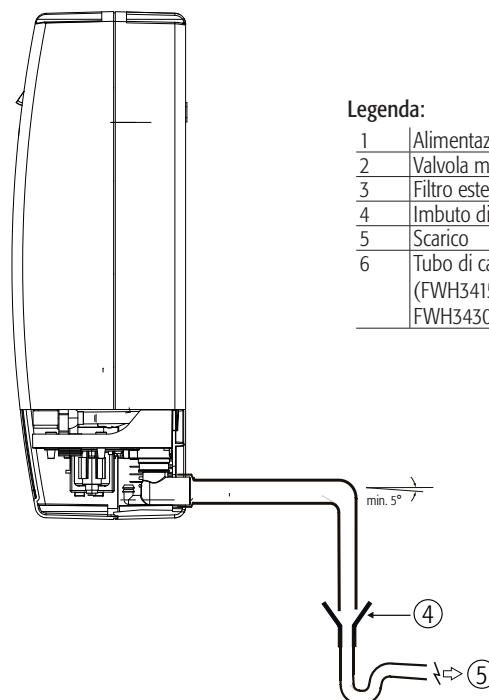


Fig. 3.i

Legenda:

1	Alimentazione
2	Valvola manuale
3	Filtro esterno (consigliato)
4	Imbuto di raccolta scarichi
5	Scarico
6	Tubo di carico acqua (FWH3415000 oppure FWH3430000)

3.6 Distribuzione del vapore

Iniezione del vapore in condotta

La massima pressione statica consentita nella condotta è di 950 Pa (95 mm di colonna d'acqua). Con i modelli compactSteam da condotta è possibile utilizzare l'ugello di plastica rappresentato in figura 3.j (codice CAREL SDPOEM00**) per l'iniezione del vapore in condotta. Le dimensioni sono riportate nella tabella 3.f. Questi distributori possono essere montati in asse orizzontale o verticale (foro verso l'alto).

Montaggio distributori a getto CAREL SDPOEM00** (vedi fig.3.j)

praticare sulla parete una serie di fori secondo la dima di foratura del distributore (presente sull'imballo); inserire il distributore con il foro del vapore verso l'interno della condotta; fissare la flangia con 4 viti.

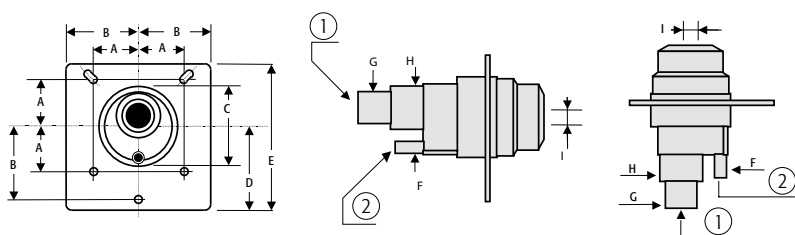


Fig. 3.j

	Millimetri	Pollici
A	31.5 mm	12.4"
B	50 mm	1.96"
C	56 mm	2.20"
D	57.5 mm	2.26"
E	100 mm	3.93"
F	Ø 8 mm	Ø 0.31"
G	Ø 22 mm	Ø 0.86"
H	Ø 30 mm	Ø 1.18"
I	12 or 22 mm	0.47 or 0.87"

1	Ingresso vapore
2	Uscita condensa

Tab. 3.f

In alternativa, è possibile utilizzare un distributore per condotta in acciaio inossidabile (codice CAREL DP0**D22R0):

Legenda Fig. 3.j:

1	ingresso vapore ($\varnothing A$)
2	scarico condensa ($\varnothing B$)
3	guarnizione della flangia
4	vite diametro max. "M5 / (3/16")" (vedi foglio di istruzione in dotazione con il distributore)
$\varnothing A$	22 mm (7/8")
$\varnothing B$	10 mm (3/8")
$\varnothing Y$	58 mm (2 1/4")
\varnothing	35 mm (1 3/8")
X	68 mm (2 11/16")

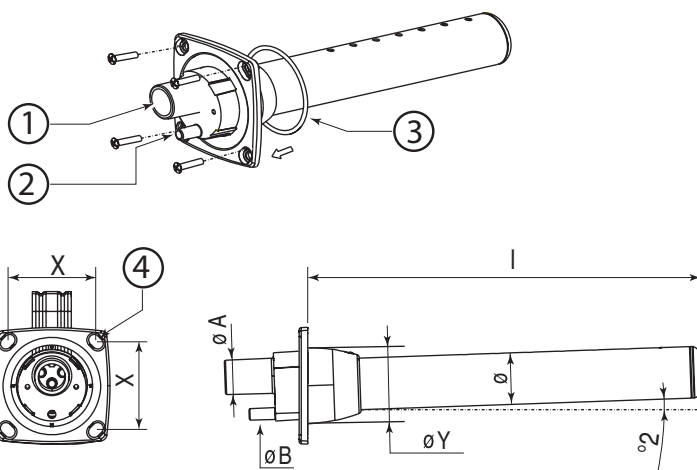


Fig. 3.a.j

Modelli

- DP035D22R0: l = 332 mm / 13 1/16" (solo per modelli CH001...CH003);
- DP045D22R0: l = 438 mm / 17 1/4" (per tutti i modelli CH001...CH005).

Tab. 3.g

Montaggio distributori lineari CAREL DP0**D22R0 (vedi fig. 3.a.j):

- praticare sulla parete una serie di fori secondo la dima di foratura del distributore (presente sull'imballaggio);
- inserire il distributore con i fori del vapore verso l'alto;
- fissare la flangia con 4 viti.

⚠ **Attenzione:** per permettere il ritorno della condensa attraverso la connessione di drenaggio, montare il distributore leggermente inclinato (almeno 2°, v. Fig. 3.l).

Tubo di drenaggio condensa

Durante la distribuzione del vapore parte di esso può condensare, causando perdite di efficienza e rumorosità (sotto forma di gorgoglii). Per scaricare questi accumuli di condensa, collegare alla base del distributore un tubo di drenaggio flessibile (codice CAREL 1312353APG) con un sifone e una pendenza minima di 5° (vedi fig. 3.l). Il tubo di trasporto condensa va inserito nel foro situato nella parte superiore della vaschetta di carico posta all'interno dell'umidificatore, come illustrato in fig. 3.k.

⚠ **AVVERTENZA IMPORTANTE:** per un corretto uso, si consiglia di riempire con acqua il sifone prima dell'avviamento dell'umidificatore.

Tubo di trasporto del vapore

- realizzare la connessione tra umidificatore e distributore con un tubo flessibile (si consiglia di utilizzare i tubi vapore flessibili forniti da CAREL, codice 1312360AXX). Tubi inadatti possono provocare infragilimento e fessurazioni con perdite di vapore;
 - evitare la formazione di sacche o di sifoni nei quali la condensa potrebbe fermarsi;
 - assicurarsi che non si formino strozzature del tubo per effetto di curvature brusche o di attorcigliamenti. Fissare con fascette stringitubo (non fornite) le estremità del tubo alle connessioni dell'umidificatore e del distributore di vapore affinché non si sfilino per effetto della temperatura.
- Per la connessione al cilindro del tubo a vapore utilizzare l'adattatore codice CHKADAP000.

⚠ **AVVERTENZA:** la lunghezza del tubo non deve essere superiore a 4 m/13ft.

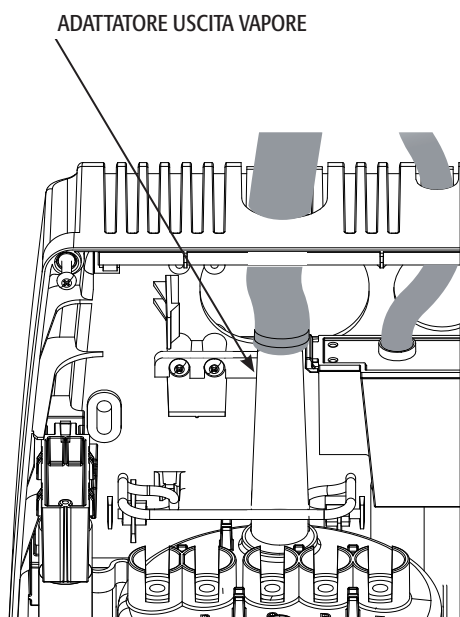


Fig. 3.k

Nella figura 3.l viene rappresentato un esempio di corretta e sbagliata installazione dei tubi di mandata del vapore e dei tubi di drenaggio della condensa.

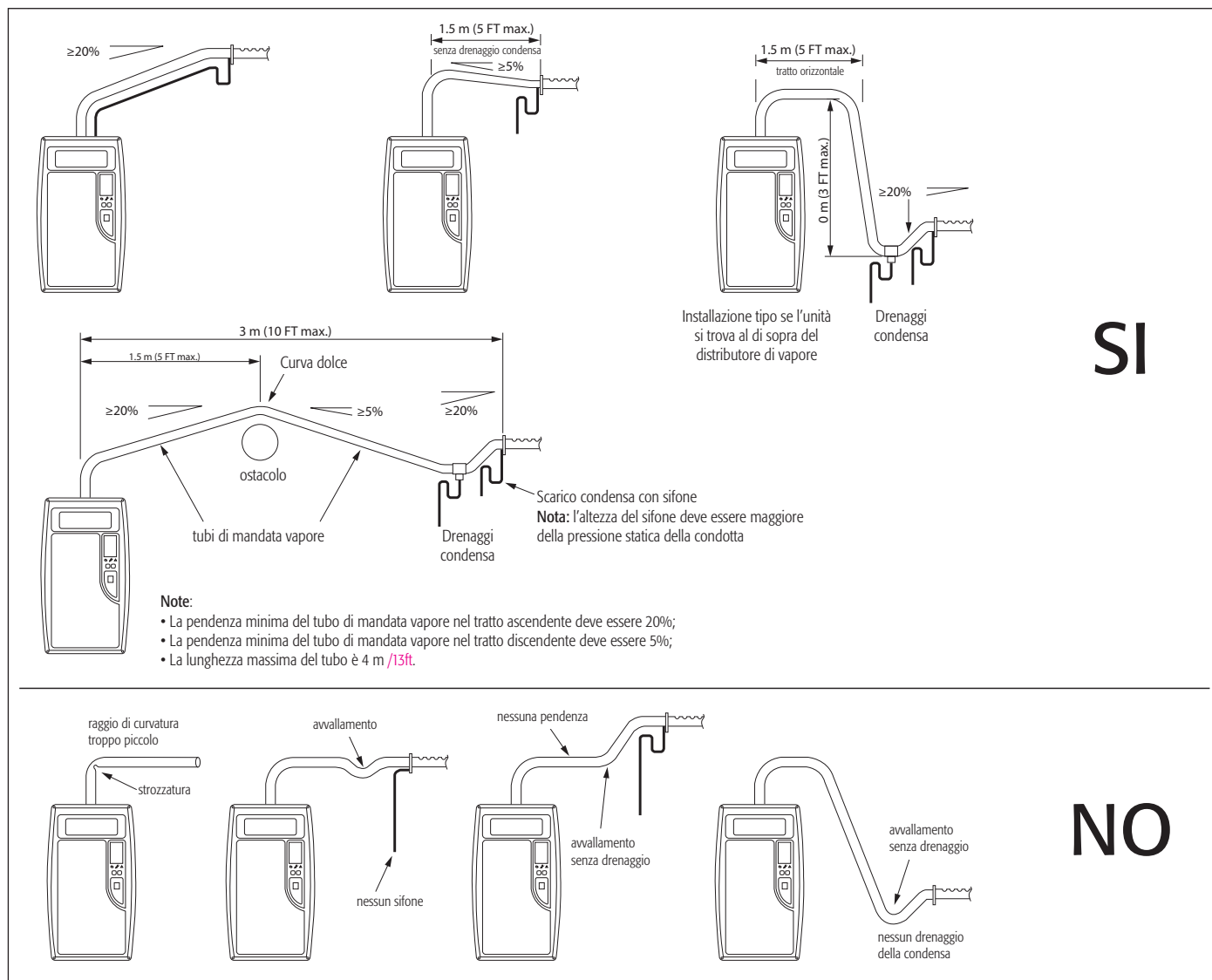


Fig. 3.l

Distribuzione del vapore IN AMBIENTE

Con il compactSteam è possibile distribuire il vapore direttamente nell'ambiente da umidificare. Per l'umidificazione diretta degli ambienti è possibile utilizzare sia il modello compactSteam con distributore integrato (codice CAREL CHF*****) sia il modello da condotta (codice CHO*****) collegato ad un distributore da ambiente remoto (codice VRDCHA1000 per modelli da 110 Vac e VRDCHA2000 per modelli da 230 Vac).

Il seguente disegno (fig 3.m) indica le distanze minime che devono essere rispettate nell'installazione del distributore di vapore remoto per evitare scottature e la condensazione del vapore su oggetti quali luci, apparecchiature elettriche, superfici fredde, ecc. Per maggiori dettagli sull'installazione e l'uso del distributore ventilato, si faccia riferimento al manuale dedicato.

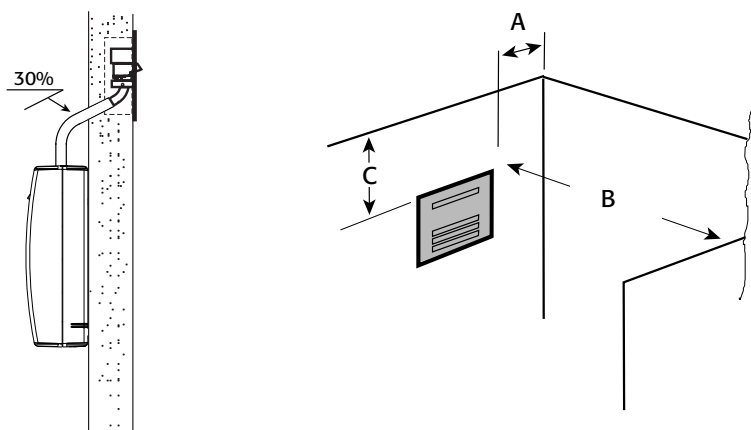


Fig. 3.m

	Millimetri	Pollici
A	150 mm	6"
B	1500 mm	60"
C	600 mm	24"

Tab. 3.h

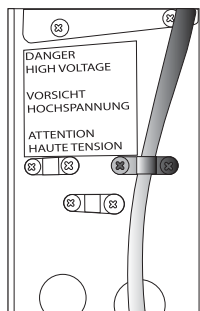


Fig. 3.n

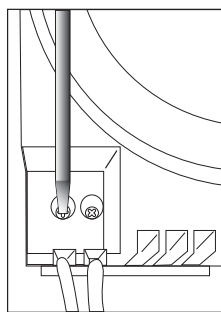


Fig. 3.o

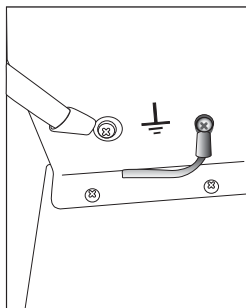


Fig. 3.p

3.7 Collegamenti elettrici

Prima di procedere con i collegamenti elettrici:

- assicurarsi che l'umidificatore sia scollegato dalla rete elettrica;
- verificare che la tensione d'alimentazione dell'apparecchio corrisponda al valore indicato nei dati di targa riportati all'interno del quadro elettrico
(Nota: La tolleranza consentita sul valore nominale di tensione è -15% +10%);
- la linea d'alimentazione dell'umidificatore deve essere provvista di interruttore sezionatore e di fusibili di protezione da corto circuito (da montare a cura dell'installatore).

► **Nota:** Per evitare interferenze indesiderate, è opportuno mantenere i cavi di alimentazione separati da qualsiasi cablaggio di comando. Tutti i cablaggi devono essere conformi alle norme elettriche nazionali e locali in vigore.

3.8 Cablaggio di potenza

Per collegare l'umidificatore alla rete elettrica:

- una volta inseriti i cavi elettrici all'interno dell'apparecchio utilizzare i fermacavi illustrati in fig. 3.n per bloccarli in posizione corretta;
- collegare i cavi elettrici di alimentazione alla morsettiere situata nella parte inferiore sinistra del modulo di comando come illustrato in fig. 3.o;
- collegare il filo giallo verde alla messa a terra dell'apparecchio situata sotto il modulo di controllo sulla piastra metallica che lo sorregge.

Nella Tab. 3.i vengono riportati i dati elettrici (tensioni di alimentazione) per ogni modello di umidificatore.

Codice	Alimentazione (monofase)	Uscita vapore (Kg/h)	Uscita vapore (lbs/hr)	Alimentazione (kW)	Corrente (A)	Cavi di alimentazione esterni	Fusibile esterno (A)
CH*01V1001	110Vac 56/60Hz	1.6	3.5	1.15	10.50	2,5 mm ² AWG12	16
CH*02V1001	110Vac 56/60Hz	2.5	5.5	1.80	16.40	6 mm ² AWG10	32
CH*01V2001	230Vac 50/60 hz	1.6	3.5	1.15	5.0	1,5 mm ² AWG14	10
CH*03V2001	230Vac 50/60 hz	3.2	7	2.31	10.0	2,5 mm ² AWG12	16
CH*05V2001	230Vac 50/60 hz	5.4	12	3.89	16.9	6 mm ² AWG10	32

Tab. 3.i

Nota: alcuni modelli potrebbero non essere disponibili in tutte le regioni

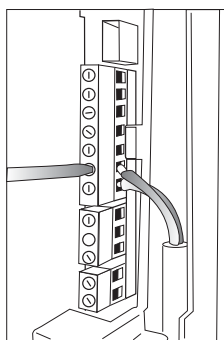


Fig. 3.q

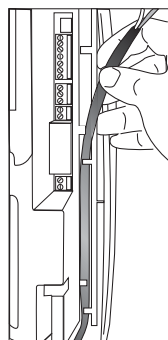


Fig. 3.r

3.9 Cablaggio di comando

Nel compactSteam la produzione di vapore è controllata da un segnale esterno:

- in modalità ON/OFF un semplice contatto (per esempio un umidostato) abilita/disabilita la produzione di vapore;
- in modalità proporzionale l'umidificatore produce una quantità di vapore direttamente proporzionale al segnale 0...10 V generato da un regolatore esterno.

Il compactSteam consente il collegamento di qualsiasi umidostato semplice o automatico e di dispositivi di sicurezza quali umidostato limitatore, interruttori di controllo del flusso d'aria e interruttori ON/OFF remoti. Per collegare i dispositivi di comando esterni, infilare i cavi attraverso la parte inferiore dell'apparecchio fino a raggiungere la parte superiore del modulo di comando e fermarli con il fermacavo (vedi fig. 3.n). Le morsettiere per il cablaggio di comando sono situate in alto a destra sul modulo di comando (vedi fig. 3.q e 3.r)

► **NOTA IMPORTANTE:** Selezionare il tipo di segnale di comando corretto tramite la tastiera (vedi paragrafo 5.1.1) prima di collegare il cablaggio di comando.

3.10 Funzionamento ON/OFF

Gli schemi riportati nelle figure a lato indicano i collegamenti da effettuare sulla morsetti in caso di:

Fig 3.s funzionamento eseguito da un semplice contatto di abilitazione remoto privo di alimentazione, indicato con CR;

Fig 3.t funzionamento comandato da un umidostato meccanico esterno, indicato con H;

Fig 3.u una combinazione dei suddetti metodi.

Contatto di abilitazione remoto (fig.3.s)

Rimuovere il ponticello tra i morsetti AB-AB e collegare il contatto remoto (CR) privo di alimentazione in serie ai morsetti AB-AB; I morsetti IN-GND devono essere chiusi da un ponticello. Quando il contatto AB-AB è chiuso l'umidificatore è abilitato a produrre vapore; se il contatto viene aperto la produzione del vapore immediatamente si arresta.

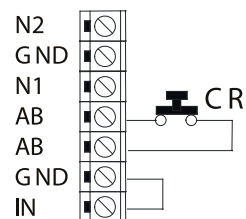


Fig. 3.s

Umidostato esterno senza abilitazione (fig. 3.t)

Collegare l'umidostato esterno tra i morsetti IN-GND e lasciare il ponticello in posizione tra i morsetti AB-AB. NON applicare alcuna tensione ad AB-AB. Se il contatto IN-GND viene chiuso la produzione del vapore mentre se viene aperto la produzione del vapore viene arrestata dopo 5 s.

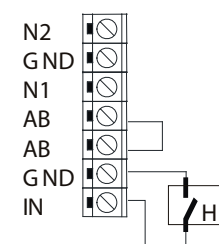
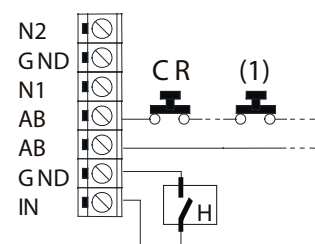


Fig. 3.t

Umidostato esterno con abilitazione (fig. 3.u)

Collegare l'umidostato esterno tra i morsetti IN-GND. Rimuovere il ponticello tra i morsetti AB-AB e collegare eventuali limitatori semplici; interruttori del flusso d'aria e contatti remoti (CR) in serie ai morsetti AB-AB. La produzione del vapore inizia solamente quando entrambi i contatti AB-AB e IN-GND sono chiusi. Se viene aperto il contatto AB-AB la produzione del vapore viene arrestata immediatamente, mentre se viene aperto il contatto IN-GND viene arrestata dopo 5 s.



(1): interruttore esterno

Fig. 3.u

Interblocco tra compactSteam per condotta e il controllore dell'impianto di ventilazione

Nelle applicazioni in condotta, il compactSteam inizia la produzione di vapore solamente se vi è richiesta esterna di umidità (umidostato chiuso) ed il ventilatore dell'impianto di ventilazione è in funzione. Il ventilatore dell'impianto comunica con il Compactsteam attraverso l'ingresso di abilitazione remota AB-AB.

La seguente sequenza di eventi deve verificarsi affinché compactSteam produca vapore:

- Chiusura dell'umidostato esterno (= richiesta di vapore)
- Chiusura del contatto FAN-EXT da parte del compactsteam, per chiedere la partenza del ventilatore al controllore dell'impianto di ventilazione
- Chiusura dell'ingresso AB-AB ad indicare che il ventilatore è in funzione (= consenso alla produzione di vapore)

E' possibile collegare al compactSteam un flussostato d'aria (ovvero un dispositivo sensibile al flusso d'aria generato dal ventilatore della condotta). Tale sensore di flusso va collegato all'ingresso di abilitazione remota (morsetti AB-AB) in serie ad un umidostato di limite (normalmente chiuso).

Quando il sensore di flusso è collegato al compactsteam, il consenso alla produzione di vapore viene dato solamente se viene effettivamente rilevato un flusso d'aria all'interno della condotta.

Simbolo Ventilatore

- **Spento:** in assenza di richiesta (IN-GND = aperto), a prescindere dallo stato dell'abilitazione alla produzione (AB-AB = aperto o chiuso);
- **Lampeggiante:** in presenza di richiesta (IN-GND = chiuso), se in attesa dell'abilitazione alla produzione (AB-AB = aperto);
- **Acceso fisso:** in presenza della richiesta (IN-GND = chiuso) e dell'abilitazione alla produzione (AB-AB = chiuso).

Nota:

- Con l'abilitazione ancora attiva (AB-AB = chiuso), il simbolo si spegne 30 s dopo che la richiesta di produzione si azzerà (IN-GND = aperto);
- In presenza di richiesta (IN-GND = chiuso), il simbolo si spegne 60 s dopo che l'abilitazione alla produzione viene tolta (AB-AB = aperto).

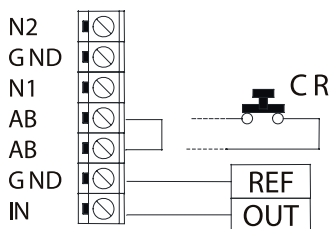


Fig. 3.v

3.11 Funzionamento modulante

Collegare il dispositivo di controllo modulante esterno 0...10 V tra i morsetti IN-GND come indicato in fig. 3.v. Collegare poi eventuali interruttori di Sicurezza (limitatore, interruttore del flusso d'aria, on/off remoto) in serie ai morsetti AB-AB.

Se non si utilizzano interruttori di sicurezza, è necessario installare un ponticello tra AB-AB. NON applicare alcuna tensione ad AB-AB.

La produzione del vapore viene modulata dal 20% al 100% della produzione massima in modo proporzionale al segnale fornito dal regolatore esterno.

3.12 Collegamento dell'umidostato CLIMA

L'umidostato Clima permette di regolare in modo automatico l'umidità dell'ambiente. L'umidostato può abilitare/disabilitare l'umidificatore in base a due fasce orarie (giorno e notte) e può regolare l'umidificazione in due modalità diverse: a regolazione proporzionale e a regolazione ON/OFF.

Per l'installazione ed il collegamento del Clima fare riferimento al foglio istruzioni dedicato, presente all'interno dell'imballo dell'umidostato stesso.

3.13 Collegamenti dei cablaggi

Morsetti	Funzioni	Specifiche elettriche
L1-L2-MESSA A TERRA	Collegamenti di alimentazione elettrica e di messa a terra	Alimentazione elettrica (110 Vac monofase 50/60 Hz o 230 Vac monofase 50/60 Hz)
KEY	Porta di programmazione	Collegamento a porta di programmazione o supervisore
AB-AB	Ingresso di abilitazione remota	Impone un contatto esterno normalmente aperto; $R_{max}= 300 \text{ Ohm}$; $V_{max}= 33 \text{ Vdc}$; $I_{max}= 6 \text{ mA}$; umidificatore abilitato = contatto chiuso
IN-GND	Ingresso segnale di controllo	Se programmato 0...10 V: Impedenza di ingresso 10 kohm Se programmato ON/OFF (Default): $V_{max} = 33 \text{ Vdc}$, $I_{max} = 5 \text{ mA}$, $R_{max} = 300 \text{ Ohm}$
NC-C-NO	Contatto allarme NC Contatto allarme comune C Contatto allarme NO	250 V; 8 Amp max. con carico resistivo; 4 Amp max. con carico induttivo
NO-C	Relè ventilatore esterno	250 V; 8 Amp max. con carico resistivo; 4 Amp max. con carico induttivo
24-GND	Alimentazione per umidostato esterno	Alimentazione elettrica per umidostato esterno 24 Vac; 2 Watt

Tab. 3.j

Schema di cablaggio del dispositivo di controllo

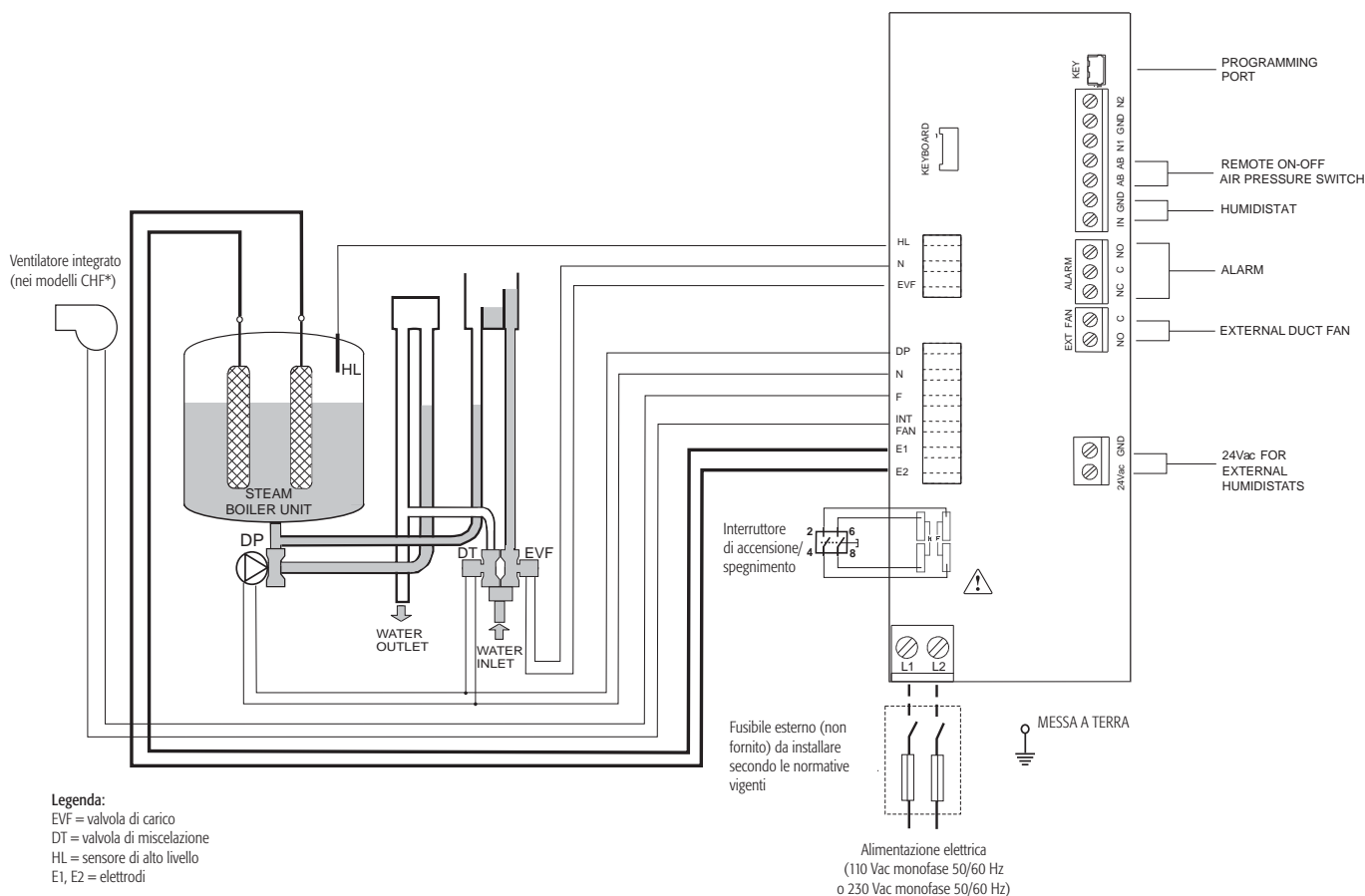


Fig. 3.z

AVVERTENZA IMPORTANTE:

1. Prima di effettuare l'avvio, verificare che l'umidificatore sia in condizioni perfette, che non vi siano perdite d'acqua e che i componenti elettrici siano asciutti;
2. Non collegare l'alimentazione elettrica se l'umidificatore è danneggiato o anche solo parzialmente bagnato!

Una volta completata l'installazione, pulire il tubo di alimentazione per circa 10 minuti facendo scorrere l'acqua direttamente nello scarico, senza collegare la tabazione all'umidificatore; in tal modo si eliminano eventuali incrostazioni o residui che possono causare la formazione di schiuma durante l'ebollizione.



AVVERTENZA IMPORTANTE: Quando si avvia l'umidificatore con un cilindro nuovo o vuoto, può essere necessario parecchio tempo (ore) affinché l'acqua del boiler raggiunga una concentrazione di minerale sufficiente per ottenere la produzione di vapore nominale.

4.1 Verifiche all'avvio

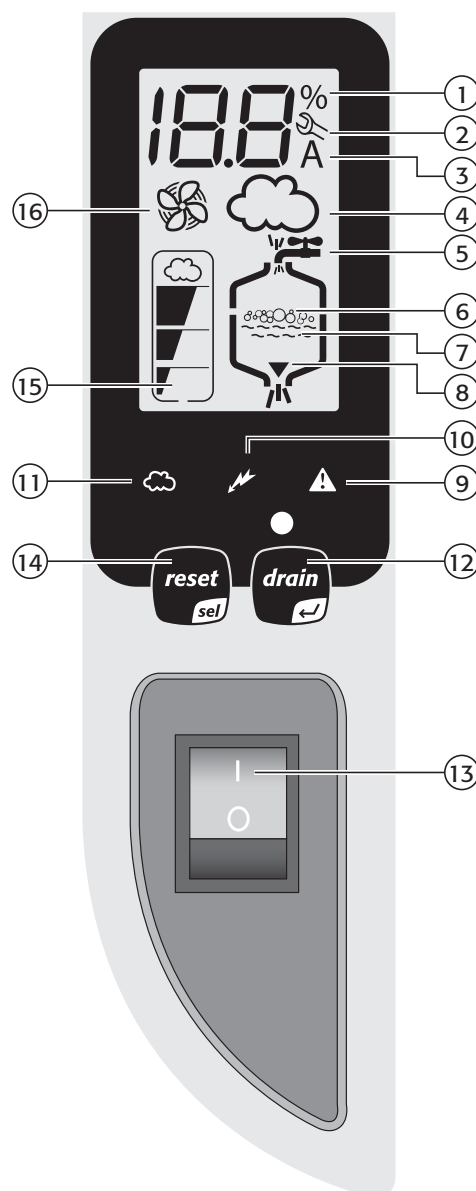
Prima di avviare l'umidificatore, controllare che:

- L'acqua sia collegata, la linea sia stata risciacquata e i rubinetti esterni siano aperti.
- Lo scarico sia collegato come spiegato nel paragrafo 3.5 (Imbuto anti-allagamento e raccordo a sifone al di sotto dell'apparecchio).
- L'energia elettrica sia collegata in conformità alle istruzioni, ai codici locali e alle etichette dei dati tecnici dell'apparecchio.
- I fusibili di potenza siano installati e intatti.
- L'eventuale interruttore del flusso dell'aria sia cablato per aprirsi in caso di mancanza di flusso d'aria.
- L'eventuale umidostato limitatore sia cablato per aprirsi in caso di aumento dell'umidità oltre al valore impostato.
- Tutti i connettori dei fili elettrici dell'apparecchio siano serrati.
- I tubi flessibili del vapore e della condensa siano posati correttamente senza piegature o avvolgimenti e inclinati correttamente in conformità al manuale.

4.2 Dispositivo di controllo di compactSteam

Il dispositivo di controllo di compactSteam dispone di un display LCD che, mediante icone e caratteri numerici, visualizza il funzionamento del sistema:

1	Visualizzazione della % di produzione vapore rispetto alla capacità nominale
2	Icona di allarme attivo
3	Valore della corrente istantanea in Ampere (visualizzazione predefinita)
4	Produzione di vapore in corso
5	Riempimento del cilindro in corso
6	Rilevamento schiuma all'interno del cilindro
7	Presenza di acqua all'interno del cilindro
8	Scarico del cilindro in corso
9	Led rosso: allarme
10	Led giallo: alimentazione
11	Led verde: funzionamento
12	Pulsante di scarico per scarico manuale del cilindro e conferma dei valori dei parametri
13	Pulsante di accensione/spengimento
14	Pulsante "Reset" per ripristinare allarmi e parametri di accesso
15	Livello di produzione vapore: 33%, 66%, 100%
16	Relè ventilatore attivo




4.3 Avvio di compactSteam

- Premere il tasto ACCENSIONE (13), la macchina si accende e il display visualizza una sequenza di caratteri. Terminata questa operazione di inizializzazione, si accende il led di alimentazione giallo ed il compactSteam è pronto per funzionare.
- Se vi è richiesta di umidità, il compactSteam invia energia elettrica agli elettrodi del boiler ed il LED di funzionamento verde si accende indicando che è iniziato il funzionamento.

4.4 Avvio con un nuovo cilindro

Quando si effettua l'avvio con un nuovo cilindro, è opportuno attivare la funzione di pulizia del cilindro nel seguente modo:

1. Spegnere il compactSteam.
2. Riaccendere il compactSteam tenendo premuti i due pulsanti "reset/sel" e "drain" (scarico) finché il display indica "00" e il simbolo della chiave inglese  lampeggia; rilasciare quindi i due pulsanti.
3. A questo punto tenendo premuto il tasto "reset/sel" si vedranno scorrere a display dei parametri numerici. Premere "reset/sel" per alcuni secondi finché il display indica "04".
AVVERTENZA: Nel caso venga selezionato un valore superiore a "04" non confermare, ma premere "reset/sel" finché il display torna alla modalità operativa normale e ricominciare dal punto 1
4. Premere "drain" (scarico) per almeno 1 secondo: ha inizio la pulizia.

Durante la pulizia del cilindro nel display compare la segnalazione PC (pre-cleaning), gli elettrodi rimangono sotto tensione e il boiler viene riempito di acqua finché non si verifica una delle seguenti condizioni:

- Il livello dell'acqua raggiunge il sensore di massimo livello;
- la corrente di fase è pari a 20 A.

Una volta rilevato uno di questi eventi, il boiler è completamente scaricato con gli elettrodi privi di tensione (la pompa di scarico e la valvola miscelatrice dello scarico vengono attivate per 3 minuti). Il riscaldamento dell'acqua di lavaggio contribuisce ad eliminare eventuali residui e tracce di sporco.

CAREL Industries raccomanda di effettuare almeno due cicli di pulizia quando si avvia un nuovo boiler. Una volta terminata la pulizia, l'umidificatore inizia il proprio normale servizio.

Fig. 4.a

5. AZIONAMENTO DEL COMPACTSTEAM

5.1 Visualizzazione di informazioni

L'informazione visualizzata a display durante il normale funzionamento di compactSteam è la corrente istantanea in Amperes che scorre tra gli elettrodi. Per visualizzare altre informazioni è necessario tenere premuto il pulsante "reset/sel" finché il display visualizza l'informazione desiderata. Tenendo premuto il tasto infatti, ogni 2 secondi il display passerà dalla visualizzazione della corrente alla percentuale (%) di produzione di vapore, al timer contatore e di nuovo alla corrente (Fig. 5.a).



Fig. 5.a

1. **Corrente istantanea:** è il valore della corrente che passa attraverso l'acqua portandola a ebollizione (visualizzazione predefinita).
2. **percentuale (%) di produzione del vapore:** è la produzione di vapore (proporzionale alla corrente) espressa come percentuale della produzione nominale.
3. **timer contatore:** conta le ore di funzionamento del cilindro (va azzerato ad ogni sostituzione del cilindro). Il valore è espresso in decine di ore, quindi ad esempio quando il display mostra il numero 13 il valore reale delle ore di funzionamento è compreso tra 130 e 139 ore.

Selezione del tipo di segnale

☛ **NOTA:** Selezionare il tipo di segnale di comando corretto tramite la tastiera prima di collegare il cablaggio di comando. Procedere nel seguente modo:

Per selezionare il tipo di segnale di comando procedere nel seguente modo:

1. Spegner il compactSteam.
2. Riaccendere il compactSteam tenendo premuti i due pulsanti "reset/sel" e "drain" (scarico) finché il display indica "00" e il simbolo della chiave inglese lampeggia; rilasciare quindi i due pulsanti.
3. A questo punto tenendo premuto il tasto "reset/sel" si vedranno scorrere a display dei parametri numerici. Premere "reset/sel" per alcuni secondi finché il display indica "02".
AVVERTENZA: Nel caso venga visualizzato un valore superiore a "02" non confermare, ma premere "reset/sel" finché il display torna alla modalità operativa normale e ricominciare dal punto 1.
4. Premere il tasto "drain" (scarico) per almeno 1 secondo per confermare: il display indicherà "P1" per 1 secondo e quindi il valore del parametro P1 attualmente impostato sarà visualizzata a fianco.
5. Premendo "reset/sel" il valore di P1 commuterà tra "0" e "1":
0 = umidostato;
1 = segnale esterno modulante 0...10 V
6. Premere il tasto "drain" (scarico) per almeno 1 secondo una volta terminata la selezione per confermare il nuovo valore del parametro P1 e tornare alla modalità operativa normale.
7. Spegner il compactSteam: a questo punto è possibile procedere al collegamento del cablaggio di comando.

☛ **Nota:** Se entro 3 s non viene fatta o confermata alcuna selezione il software torna automaticamente alla modalità operativa normale.

5.2 Modifica della produzione massima di vapore

Per adattare il compactsteam alle caratteristiche specifiche dell'ambiente, la produzione massima di vapore può essere regolata tra 20% e 100% della produzione nominale a passi del 5%. Per modificare la produzione massima di vapore:

1. Spegner il compactSteam.
2. Riaccendere il compactSteam tenendo premuti i due pulsanti "reset/sel" e "drain" (scarico) finché il display indica "00" e il simbolo della chiave inglese lampeggia; rilasciare quindi i due pulsanti.
3. A questo punto tenendo premuto il tasto "reset/sel" si vedranno scorrere a display dei parametri numerici. Premere "reset/sel" per alcuni secondi finché il display indica "01".
AVVERTENZA: Nel caso venga visualizzato un valore superiore a "01" non confermare, ma premere "reset/sel" finché il display torna alla modalità operativa normale e ricominciare dal punto 1.
4. Premere "drain" (scarico) per almeno 1 secondo per confermare: il display indica "P0" per 1 secondo e quindi il valore del parametro P0 attualmente impostato sarà visualizzato a fianco.
5. Premendo "reset/sel" il valore di P0 commuterà da 20% a 100% a passi del 5%.
6. Premere il tasto "drain" per almeno 1 secondo una volta terminata la selezione per confermare il nuovo valore di P0 e tornare alla modalità operativa normale.


☛ **Nota:** Se entro 3 s non viene fatta o confermata alcuna selezione il software torna automaticamente alla modalità operativa normale.

5.3 Attivazione dello scarico manuale

Tenendo premuto il pulsante "drain" sulla parte anteriore dell'apparecchio si attiva lo scarico manuale del cilindro. Tenere premuto il tasto finché il cilindro è svuotato.

5.4 Ripristino del contaore

Il contaore deve essere azzerato ogni volta che viene sostituito il cilindro per cancellare e riavviare il timer di manutenzione interna:

1. Spegnerne il compactSteam.
2. Riaccendere il compactSteam tenendo premuti i due pulsanti "reset/sel" e "drain" (scarico) finché il display indica "00" e il simbolo della chiave inglese  lampeggia; rilasciare quindi i due pulsanti.
3. A questo punto tenendo premuto il tasto "reset/sel" si vedranno scorrere a display dei parametri numerici. Premere "reset/sel" per alcuni secondi finché il display indica "03" .
AVVERTENZA: Nel caso venga visualizzato un valore superiore a "03" non confermare, ma premere "reset/sel" finché il display torna alla modalità operativa normale e ricominciare dal punto 1
4. Premere "drain" (scarico) per almeno 1 secondo per confermare: il timer contaore si azzererà immediatamente e il compactsteam torna alla modalità operativa normale.

► **Nota:** Se entro 3 s non viene fatta o confermata alcuna selezione il software torna automaticamente alla modalità operativa normale.

5.5 Allarmi

In caso di allarme, il LED rosso lampeggia, il relè di allarme si chiude attivando la segnalazione remota (se installata) e il codice dell'anomalia lampeggia sul display.

Esistono due tipologie di allarmi: gli avvertimenti e gli allarmi disabilitanti. I primi possono essere cancellati premendo il pulsante "reset/SEL" per 2 s, mentre i secondi restano visualizzati finché non viene eseguito un intervento di manutenzione. Gli allarmi multipli lampeggiano in sequenza, alternandosi con la visualizzazione principale.

Nella tabella seguente (tab. 5.a) sono riportati tutti i codici di allarme con una descrizione dei problemi che li hanno generati e le azioni necessarie per ripristinare lo stato di normale funzionamento.

Visualizzazione	Descrizione	Azione	Led Rosso	Relè Allarme	Note
--	ON/OFF remoto aperto	Apparecchio disabilitato	OFF	OFF	Effettuare il ponte tra i morsetti AB-AB
EE	Errore memoria interna	Contattare il centro assistenza	ON	ON	Far riprogrammare l'apparecchio dal centro assistenza
E0	Configurazione scheda di comando non valida	Apparecchio disabilitato	ON	ON	Far riprogrammare l'apparecchio dal centro assistenza
E1	Allarme corrente elevata	Apparecchio disabilitato	ON	ON	1) Spegnerne; 2) Verificare i collegamenti; 3) Verificare il cilindro (assenza di ponti di incrostazioni di calcare tra elettrodi); 4) Verificare che non vi siano elettrodi cortocircuitati.
E2	Bassa produzione, bassa conduttività dell'acqua di alimentazione o eccessiva schiuma/incrostazione di calcare nel cilindro	Apparecchio disabilitato Premere il tasto "reset/sel" per 1 secondo per cancellare l'allarme	ON	ON	Verificare la conduttività dell'acqua di alimentazione ed eventualmente sostituire il cilindro con la versione a bassa conducibilità.
E3	Cilindro quasi esaurito, già funzionato per 2000 ore	Premere il tasto "reset/sel" per 1 secondo per cancellare l'allarme	Off	Off	Cambio cilindro (non urgente)
E4	Allarme riempimento, riempimento impossibile o lento (la corrente non aumenta entro il tempo impostato)	Premere il tasto "reset/sel" per 1 secondo per cancellare l'allarme; diversamente, il segnale sarà ripristinato automaticamente ogni 10 minuti fino a quando l'acqua di alimentazione sarà di nuovo disponibile.	ON	ON	1) Verificare l'alimentazione d'acqua e la valvola di carico; 2) Verificare l'eventuale presenza di perdite dalla pompa di scarico; 3) Verificare intasamento del filtro sull'elettrovalvola di carico (Fig. 3 g); 4) Verificare che la mandata del vapore non lavori con eccessiva contropressione impedendo l'afflusso d'acqua nel cilindro per gravità; 5) Verificare che il tubo di mandata del vapore non sia strozzato o che non vi siano sacche di deposito condensa; 6) Verificare che i cavi di alimentazione al boiler siano collegati.
E5	Allarme scarico, impossibile effettuare lo scarico (la corrente non diminuisce entro il tempo impostato)	Premere il tasto "reset/sel" per 1 secondo per cancellare l'allarme	ON	ON	1) Verificare la pompa di scarico non sia ostruita. 2) Verificare che nel collegamento di scarico non vi siano impedimenti.
E6	Cilindro esaurito (rilevate prestazioni critiche)	Il segnale viene ripristinato automaticamente se il compactSteam è in grado di soddisfare la richiesta, altrimenti spegnere e riaccendere l'apparecchio.	OFF	OFF	Sostituire il cilindro (urgente)
E7	Rilevata presenza di schiuma	Premere il tasto "reset/sel" per 1 secondo per cancellare l'allarme	OFF	OFF	Se il problema persiste, effettuare alcuni cicli di pulizia (consultare il capitolo 4.4 "Avvio con un nuovo cilindro")
E8	Cilindro esaurito (3000 ore)	Unità disabilitata: Resetare il contaore (leggere capitolo "Ripristino del contaore")	On	On	Cambio cilindro
E9	Temperatura elevata del dispositivo di controllo (superiore a 80°C / 176°F)	Il segnale viene ripristinato automaticamente se la temperatura scende al di sotto di 80 °C / 176 °F.	OFF	OFF	Sostituire il dispositivo di controllo.

Tab. 5.a

6. RICERCA GUASTI

Problema	Causa	Soluzione
L'umidificatore non si accende	<ol style="list-style-type: none"> 1. Alimentazione elettrica assente 2. Interruttore ON/OFF dell'umidificatore in posizione 0 (spento) 3. Connettori di comando collegati in modo scorretto 4. Fusibili interrotti 5. Guasto del controllo 	<ol style="list-style-type: none"> 1. Verificare i dispositivi di sicurezza a monte dell'umidificatore e la presenza di alimentazione elettrica 2. Portare l'interruttore on/off in posizione I (accesso) 3. Verificare che i connettori siano correttamente inseriti nella morsettiera 4. Verificare lo stato dei fusibili 5. Verificare che sia collegata e attivata la tensione corretta
L'umidificatore non si avvia	<ol style="list-style-type: none"> 1. Contatto ON/OFF remoto aperto 2. L'umidostato non è stato collegato correttamente 3. Guasto dell'umidostato 4. Segnale di comando non compatibile con il tipo impostato (vedi nota 5.11) 5. Valore misurato dal sensore o dai sensori superiore al relativo valore impostato 	<ol style="list-style-type: none"> 1. Chiudere i contatti ON/OFF remoti (morsetti AB-AB) 2. Verificare i collegamenti esterni 3. Sostituire l'umidostato
L'umidificatore si riempie d'acqua senza produrre vapore	<ol style="list-style-type: none"> 1. Contropressione vapore elevata 2. Filtro valvola di carico ostruito 3. Minerali nella vaschetta di carico 4. Perdita dalla pompa di scarico 	<ol style="list-style-type: none"> 1. Verificare che il tubo flessibile del vapore non sia attorcigliato o incurvato verso il basso, trattenendo in tal modo la condensa 2. Pulire il filtro della valvola di carico 3. Pulire la vaschetta di carico 4. Verificare la tensione sulla pompa di scarico e/o sostituire la pompa di scarico
L'umidificatore bagna la condotta	<ol style="list-style-type: none"> 1. Distributore non installato correttamente (troppo vicino alla parte superiore della condotta o ritorno della condensa ostruito) 2. Sistema sovradimensionato 3. Umidificatore attivo quando la condotta è disattiva 	<ol style="list-style-type: none"> 1. Verificare che il distributore del vapore sia installato correttamente 2. Diminuire la produzione di vapore impostata 3. Verificare il collegamento del dispositivo (interruttore di flusso o pressostato differenziale) di asservimento dell'umidificatore alla ventilazione in condotta
L'umidificatore bagna il pavimento sottostante	<ol style="list-style-type: none"> 1. Scarico umidificatore bloccato 2. Perdite nel circuito di alimentazione dell'acqua o di troppopieno 3. Il tubo di scarico della condensa non riconduce l'acqua alla vaschetta di scarico 4. Il tubo flessibile del vapore non è correttamente fissato al cilindro 	<ol style="list-style-type: none"> 1. Pulire il circuito di scarico e la vaschetta di carico 2. Verificare l'intero circuito dell'acqua 3. Verificare la posizione corretta del tubo flessibile di scarico della condensa nella vaschetta di scarico 4. Verificare il fissaggio delle fascette stringitubo sulla bocchetta di uscita del vapore
All'interno del cilindro si verifica la formazione di arco elettrico a qualche ora di distanza dall'avvio	<ol style="list-style-type: none"> 1. L'acqua di alimentazione contiene notevoli quantità di ferro, rame o altri contaminanti conduttivi. 	<ol style="list-style-type: none"> 1. Se si utilizza un addolcente, verificare il sale utilizzato. Se contiene additivi, cessarne l'utilizzo, risciacquare tutte le linee e passare o ad acqua non addolcita. 2. Verificare gli elettrodi nel cilindro per accertarsi che non si siano danneggiati durante la spedizione.
Il cilindro si riempie di acqua e si scarica in continuazione senza produrre vapore	<ol style="list-style-type: none"> 1. Il minerale ha formato un ponte tra gli elettrodi. 2. Sussiste una contropressione dai tubi flessibili del vapore o dalla condotta. 3. Il regolatore di flusso nella valvola di riempimento è rotto o fuori posto. 4. La conduttività dell'acqua è molto elevata. 5. L'acqua forma eccessiva schiuma. 	<ol style="list-style-type: none"> 1. Sostituire il cilindro. 2. Verificare se i tubi flessibili del vapore presentano attorcigliamenti o avvallamenti che possano trattenere la condensa. 3. Sostituire la valvola di carico. 4. Considerare l'utilizzo di una miscela di acqua demineralizzata con acqua non depurata. 5. Verificare il cilindro e sostituirlo se esaurito.

Tab. 6a

7.1 Controlli periodici

- Dopo un'ora di funzionamento: verificare la presenza di perdite d'acqua.
- Ogni quindici giorni o entro e non oltre le 300 ore di funzionamento: verificare la presenza di perdite d'acqua e controllare il funzionamento generale del cilindro. Verificare che durante il funzionamento non si formino archi elettrici (scintille) tra gli elettrodi.
- Ogni tre mesi o entro e non oltre le 1000 ore di funzionamento: Verificare il funzionamento, controllare la presenza di perdite d'acqua e, se necessario, sostituire il cilindro. Verificare la presenza di componenti del cilindro anneriti. Se i componenti del cilindro sono anneriti, verificare lo stato degli elettrodi e, se necessario, sostituire il cilindro.
- Annualmente o entro e non oltre le 2500 ore di funzionamento: sostituire il cilindro.

ATTENZIONE: INTERROMPERE SEMPRE L'ALIMENTAZIONE ELETTRICA PRIMA DI ESEGUIRE INTERVENTI DI MANUTENZIONE!

ATTENZIONE: Scollegare sempre l'alimentazione elettrica prima di toccare il cilindro in caso di perdite d'acqua, perché l'acqua potrebbe essere in tensione.

7.2 Manutenzione del cilindro

La durata di vita del cilindro dipende da numerosi fattori, tra cui: la quantità e il tipo di minerali presenti nell'acqua, il corretto utilizzo e dimensionamento dell'umidificatore, la potenza nonché la regolare e accurata manutenzione.

AVVERTENZE IMPORTANTI: l'umidificatore e il relativo cilindro contengono componenti elettrici sotto tensione e superfici bollenti. Tutte le operazioni di servizio e/o manutenzione devono essere eseguite da personale esperto e qualificato che sia a conoscenza delle necessarie precauzioni. Prima di eseguire qualsiasi operazione sul cilindro, verificare che l'umidificatore sia scollegato dall'alimentazione elettrica. Rimuovere il cilindro dall'umidificatore solo dopo averlo scaricato completamente mediante la procedura di "scarico manuale" descritta nel paragrafo 5.3. Verificare che il modello e la tensione dell'alimentazione elettrica del nuovo cilindro corrispondano ai dati riportati sulla targhetta dei dati nominali.

Sostituzione del cilindro

AVVERTENZA IMPORTANTE: Il cilindro può raggiungere alte temperature. Lasciarlo raffreddare prima di toccarlo o indossare guanti protettivi.

Per sostituire il cilindro:

- Scaricare completamente il cilindro tenendo premuto il tasto "drain" (scarico) finché il cilindro è vuoto;
- Spegnere l'umidificatore e interrompere l'alimentazione di rete;
- Rimuovere il coperchio;

Versione per iniezione in condotta:

- Rimuovere il tubo flessibile del vapore dal cilindro;
- Tirare verso l'alto la staffa di supporto del cilindro e sollevarlo dall'apparecchio (Fig. 7.a);
- Scollegare l'adattatore uscita vapore dal cilindro e sollevare il cilindro della macchina;
- Scollegare i collegamenti elettrici dalla parte superiore del cilindro (Fig. 7.b);
- Installare il nuovo cilindro nell'umidificatore eseguendo le operazioni precedenti in ordine inverso.

Versione per diffusione nell'ambiente:

- Svitare i 2 bulloni sul ventilatore integrato;
- Tirare verso l'alto la staffa di supporto del cilindro per sbloccarlo (Fig. 7.a);
- Scollegare il distributore ventilato dal cilindro e sollevare il cilindro dall'apparecchio;
- Scollegare i collegamenti elettrici dalla parte superiore del cilindro (Fig. 7.b);
- Installare il nuovo cilindro nell'umidificatore eseguendo le operazioni precedenti in ordine inverso.

ATTENZIONE: I DADI FILETTATI CHE FISSANO I CAVI ELETTRICI AL CILINDRO DEVONO ESSERE SERRATI CON COPPIA DI SERRAGGIO DI 5 Nm ± 10% (44 in-lb ± 10%) PER EVITARE IL RISCHIO DI INCENDI (Fig. 7.c).

7.3 Manutenzione degli altri componenti del circuito idraulico

AVVERTENZA IMPORTANTI:

- L'alimentazione esterna deve essere sempre scollegata durante l'esecuzione di qualsiasi operazione di manutenzione sull'umidificatore.
- Non utilizzare detergenti o solventi per la pulizia di componenti di plastica;
- Le incrostazioni di calcare possono essere eliminate mediante una soluzione a base di aceto o una soluzione blanda di acido acetico e una spazzola morbida; sciacquare il cilindro completamente con acqua fresca.

Pulizia delle valvole di carico e scarico temperato

1. scollegare i cavi di alimentazione e i tubi connessi;
2. rimuovere le valvole verificando lo stato del filtro di ingresso;
3. pulire con una soluzione a base di aceto o una soluzione blanda di acido acetico e una spazzola morbida;
4. risciacquare con acqua fresca;
5. sostituire i pezzi difettosi se necessario.

Pulizia della pompa di scarico

1. scollegare i cavi di alimentazione e i tubi connessi;
2. togliere le viti e scollegare i tubi della pompa di scarico;
3. pulire con una soluzione a base di aceto o una soluzione blanda di acido acetico e una spazzola morbida;
4. risciacquare con acqua fresca;
5. sostituire i pezzi difettosi se necessario.

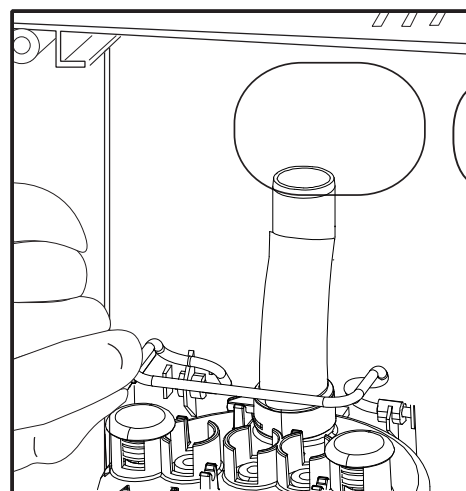


Fig. 7.a

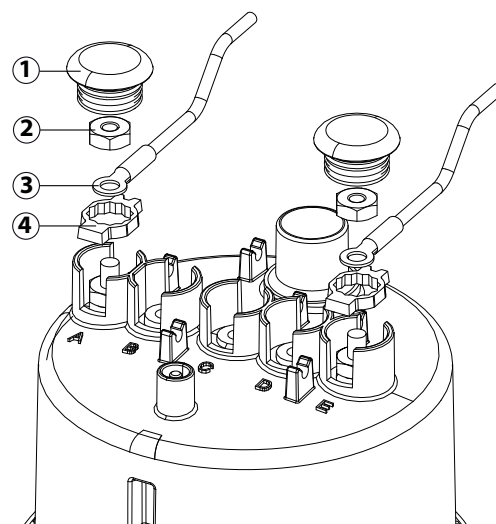


Fig. 7.b

Legenda:

- 1) Tappo grigio
- 2) Dado superiore
- 3) Cavo di alimentazione
- 4) Ferma dado

WARNING: RISK OF BURNING/FIRE HAZARD!

Firmly tighten the nut
(44 in-lbs ±10% / 5 Nm ±10%)
See diagram below for proper installation.
WARNING!
DO NOT OVERTIGHTEN TERMINAL NUTS

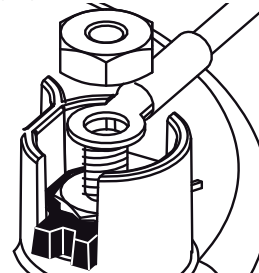


Fig. 7.c

Pulizia della vaschetta di carico:

Pulire la vaschetta da eventuali depositi di minerale e verificare che l'acqua scorra liberamente dalla vaschetta verso lo scarico attraverso la pompa di scarico. Pulizia dei tubi di alimentazione, di riempimento e di troppo pieno: verificare che siano puliti e non ostruiti o sostituire se necessario.

- ⚠ **AVVERTENZA IMPORTANTE:** Dopo aver sostituito o verificato l'impianto idraulico, verificare che i componenti siano stati ricollegati correttamente con le guarnizioni idonee. Riavviare l'umidificatore ed eseguire alcuni cicli di pulizia (da 2 a 4, consultare il paragrafo 4.4 "Avvio con un nuovo cilindro"), quindi verificare che non vi siano perdite d'acqua.

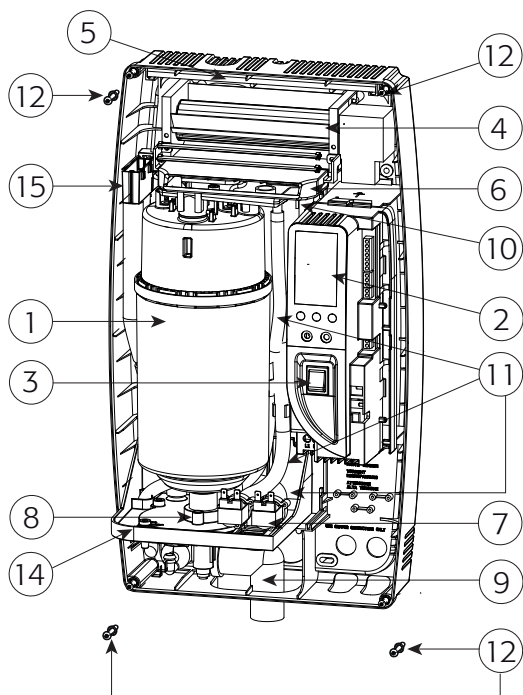
7.4 Parti di ricambio

Fig. 7.d

Articolo	Cod. componente	Descrizione
1	CILINDRI	VEDI TABELLA 7b
2	CHM05V2001	MODULO DI COMANDO 5.4 kg/h 230V CON POMPA DI SCARICO
	CHM03V2001	MODULO DI COMANDO 3.2 kg/h 230V CON POMPA DI SCARICO
	CHM01V2001	MODULO DI COMANDO 1.6 kg/h 230V CON POMPA DI SCARICO
	CHM02V1001	MODULO DI COMANDO 2.5 kg/h 110V CON POMPA DI SCARICO
	CHM01V1001	MODULO DI COMANDO 1.6 kg/h 110V CON POMPA DI SCARICO
3	CHKSW16000	SWITCH ON-OFF PER COMPACTSTEAM
4	CHKFAN1000	KIT VENTILATORI 110V
	CHKFAN2000	KIT VENTILATORI 230V
5	CHKFILT000	FILTRO VENTILATORI
6	CHKDIST000	STEAM DISTRIBUTOR KIT
7	CHKFV01001	VALVOLA DI CARICO + SCARICO TEMPERATO 110 V PER POMPA DI SCARICO
	CHKFV02001	VALVOLA DI CARICO + SCARICO TEMPERATO 230 V PER POMPA DI SCARICO
8	CHKDP01000	KIT PER POMPA DI SCARICO 110V
	CHKDP02000	KIT PER POMPA DI SCARICO 230V
9	CHKD900000	TUBO DA COLLEGARE A SCARICO 90°
10	CHKFT00000	VASCHETTA DI CARICO + CONNESSIONE PER POMPA DI SCARICO
15	CHKDT0000	VASCHETTA DI SCARICO + CONNESSIONE PER POMPA DI SCARICO
11	CHKTR00001	KIT TUBI INTERNI AMBIENTE PER POMPA DI SCARICO
	CHKTD00001	KIT TUBI INTERNI CONDOTTA PER POMPA DI SCARICO
12	CHKSREW00	VITI DI FISSAGGIO DEL COPERCHIO
14	CHKBT00001	VASCHETTA INFERIORE PER POMPA DI SCARICO
	CHKCAB00000	KIT CABLAGGIO PER UNITA' CON POMPA DI SCARICO
	MCH2004850	KIT RS485
	98C425C001	CONVERTORE SERIALE RS232 - RS485
	CHKADAP000	ADATTATORE USCITA VAPORE

Tab. 7.a

CILINDRI

Cilindri (voce 1)	Flusso vapore nominale		Vac monofase	Conduttività acqua di alimentazione (µS/cm)		Note
CY0S1A0000	3.5 lbs/h	1.6 kg/h	110	normale	350-1250	Predefinito in compactSteam
CY0S1A0000	3.5 lbs/h	1.6 kg/h	110	basso	100-350	
CY0S1A0000	5.5 lbs/h	2.5 kg/h	110	normale	350-1250	Predefinito in compactSteam
CY0S1A0000	5.5 lbs/h	2.5 kg/h	110	basso	100-350	
CY0S1B0000	3.5 lbs/h	1.6 kg/h	230	normale	350-1250	Predefinito in compactSteam
CY0S1C0000	3.5 lbs/h	1.6 kg/h	230	basso	100-350	
CY0S1B0000	7 lbs/h	3.2 kg/h	230	normale	350-1250	Predefinito in compactSteam
CY0S1C0000	7 lbs/h	3.2 kg/h	230	lbasso	100-350	
CY0S1C0000	12 lbs/h	5.4 kg/h	230	normale	350-1250	Predefinito in compactSteam
CY0S1D0000	12 lbs/h	5.4 kg/h	230	basso	100-350	

KITCY0FG00

Filtro interno e guarnizione validi per tutti i cilindri

Tab. 7.b

8. CARATTERISTICHE TECNICHE

Produzione istantanea di vapore; tensione-fase-frequenza, KW	1,6 kg/ora (3,5 libbre/ora): 110 Vac monofase 50/60 Hz, 1.18 kW 1,6 kg/ora (3,5 libbre/ora): 230 Vac monofase 50/60 Hz, 1.18 kW 2,5 kg/ora (5,5 libbre/ora): 110 Vac monofase 50/60 Hz, 1.86 kW 3,2 kg/ora (7 libbre/ora): 230 Vac monofase 50/60 Hz, 2.36 kW 5,4 kg/ora (12 libbre/ora): 230 Vac monofase 50/60 Hz, 4.05 kW	Note
Diametro uscita vapore	22 mm	
Limiti di pressione in uscita (Pa/mmWC/PSI /inWC)	950 Pa/95 mm WC/0.014 PSI / 3.7 in WC	Solo per condotta
Dimensioni (mm / inch)	600 x 341 x 204 mm (24" x 14" x 8")	(Altezza x Larghezza x Profondità)
Peso vuoto/imballato/installato con acqua	8/10/12 kg 18/22/26 lbs.	
Classe IP	IP20	
Cavi alimentazione elettrodi	12 AWG	
Relè di potenza	2 x 30 A	A bordo
Collegamento di messa a terra	Vite	
Tipo di acqua immessa	Acqua potabile	Non usare acqua demineralizzata né addolcita
Campo di conduttività	100-1250 µS/cm	Cilindri speciali per cond. < 350 µS/cm
Collegamento per riempimento acqua	¾" G	Adattatore a ¾" FPS
Portata istantanea riempimento acqua	0,6 l/min 0,16 gpm	
Collegamento di scarico	32 mm (1.25")	Regolabile da orizzontale a verticale. Possibile dalla parte posteriore o inferiore dell'apparecchio.
Temperatura acqua di scarico	< 60°C < 140°F	Dispositivo di miscelazione sullo scarico
Flusso di scarico 50Hz	max. 25 l/min max. 6.6 gpm	
Flusso di scarico 60Hz	max. 26.2 l/min max. 7 gpm	
Flusso ventilatore integrato	120 m³/ora 71 cfm 50dB	Solo diffusione diretta nell'ambiente
Temperatura ambiente di funzionamento °C (°F)	1...40 (33.8...104)	
Umidità ambiente di funzionamento (%rH)	10...60	
Temperatura di immagazzinamento °C (°F)	-10...70 (14...158)	
ingressi sonde (caratteristiche generali)	Se programmato ON_OFF (Default): Vmax=33Vdc, Imax=5mA, Rmax=300 Ohm Se programmato 0...10V: impedenza di ingresso 10Kohm	
Ingresso abilitazione remota	Contatto pulito normalmente aperto; Rmax=300 Ohm; Vmax=33 vdc; Imax=6mA; umidificatore abilitato= contatto chiuso. Richiede una connessione esterna	
Relè allarme	250V; 8Amp max con carico resistivo; 4Amp max con carico induttivo	
Relè esterno	250V; 8Amp max con carico resistivo; 4Amp max con carico induttivo	
Alimentazione per umidostato esterno	Alimentazione elettrica per umido stato esterno 24Vac ;2Watt	
Comunicazione seriale	RS485	

Tab. 8.a

Limiti di garanzia

Tutti i prodotti realizzati da CAREL Industries sono garantiti all'acquirente originario come esenti da difetti di materiale e di fabbricazione, nel corso del loro normale e corretto utilizzo, per un periodo di 2 anni dalla data di spedizione. La garanzia dei pezzi di ricambio dell'umidificatore è di 90 giorni dalla data della fattura. I componenti sostituiti in garanzia sono garantiti per il resto della garanzia dell'apparecchio originale o per 90 giorni, a seconda di quale sia di maggiore durata, a condizione che il prodotto sia stato installato e utilizzato in conformità a tutti i manuali d'uso e agli schemi elettrici corretti e sia stato messo in servizio da un tecnico qualificato di CAREL Industries. Qualsiasi prodotto o componente che risulti difettoso sarà sostituito o riparato a discrezione di CAREL Industries. CAREL Industries si riserva il diritto di ispezionare eventuali componenti o impianti prima di procedere alla sostituzione o riparazione dei componenti difettosi. Dopo la messa in servizio del prodotto, la manodopera per la riparazione o la sostituzione di componenti non sarà coperta dalla presente garanzia. I prodotti esclusi dalla presente garanzia sono i componenti soggetti a periodica sostituzione, quali cilindri di vapore e guarnizioni. CAREL Industries declina ogni responsabilità per eventuali danni conseguenti o non conseguenti o per danni dovuti a negligenza o utilizzo improprio. Ai sensi della presente garanzia, l'acquirente originario potrà esercitare determinati diritti legali o altri diritti variabili da stato a stato. La Garanzia non sarà ritenuta valida qualora un prodotto risulti danneggiato a seguito di negligenza, maltrattamento o impiego scorretto o qualora manchi l'etichetta del prodotto. CAREL Industries si impegnerà a riparare o sostituire i prodotti entro due (2) mesi dal ricevimento dei resi di merce.

CAREL si riserva la possibilità di apportare modifiche o cambiamenti ai propri prodotti senza alcun preavviso.

CAREL

CAREL Industries HQs

Via dell'Industria, 11 - 35020 Brugine - Padova (Italy)

Tel. (+39) 049.9716611 - Fax (+39) 049.9716600

e-mail: carel@carel.com - www.carel.com

Agenzia / Agency: