



AGITO
MEDICAL

Site Planning Guide

GE Revolution EVO 128

CT17 - Mobile CT Trailer

01 Introduction

02 Mobile unit specifications

- Dimension and weight
- Radiation Protection
- Access to the mobile unit

03 Environmental requirements

- Physical requirements
- Electricity
- Water
- Connectivity

04 Before delivery

- Preparations of access route
- Vehicle access requirements

05 Mobile unit layouts

01 Introduction

This Site Planning Guide provides information to potential customers on the preparations they would need to make so that this Mobile CT Rental Solution can be successfully delivered, sited, and put into clinical operation.

The customer site must be prepared in accordance with the details given in this guide so that that unit and the installed medical equipment will function properly. This guide exclusively describes the unit and its siting, environmental and electrical requirements, and is meant to give outline details. Further specifications and site requirements are available upon request.

Please refer to the System Spec Sheet for specifications of the installed scanner and associated equipment, and for further details on the installed equipment.

02 Mobile Unit Specifications

2.1 Dimension and weight

Length	13,80 m
Length of Unit with Access Ramp	14,80 m
Width	4,68 m
Height	4,0 m
Weight of unit	27.000 kg
Min. area for placement	16,00 x 6,00 m

2.2 Radiation Protection

The mobile unit is equipped with lead shielding, ensuring that radiation levels outside the scan room conform with EU standards at all times.

Walls in scan room	2.65 mm (code 6)
Floor in scan room	2.65 mm (code 6)
Roof	2.65 mm (code 6)
Doors to scan room	2.65 mm (code 6)

Please note: Layout drawings for radiation protection are available upon request.

2.3 Access to the mobile unit

The mobile CT has 3 points of access available; **Patient Access** – steps & rear door to access changing area, **Patient Lift Access** – Hydraulic remote controlled lift for immobile patients, **Staff Access** - accessed via steps to the side of the mobile.

03 Environmental Requirements

3.1 Physical requirements

- Area to be provided: 16 m x 6 m
- A clearance of at least 2 m is required all around the unit so that the unit can be maintained and allow enough space for the Air-conditioning to function correctly. This clearance allowance should always be respected and is included in the area requirement. Exceptions to the above requirements are possible but can only be approved by an AGITO representative on site survey.
- Siting of the mobile must be made on a solid surface that is level, with a maximum 1% gradient (0.6 deg), with a loading capacity of 27,000 kg (26.5 tons). Site access must also be able to carry the weight of the mobile & head unit. Unit levelling via the inbuilt hydraulic levelling system is possible.
- When the mobile is deployed, each of the 4 hydraulic legs should be supported by a concrete pad of at least 1m³ with a load capacity of at least 8500kg.

3.2 Electricity

Power/tension requirements	400V, 250A – 50 Hz. Three-phase systems with phase rotation (TN-S) Phase 1 – R or L1 Phase 2 – S or L2 Phase 3 – T or L3 Neutral – N Earth – PE
Norm connection plug	Female Marechal DS2 Connector with Dedicated Insulated Neutral & Earth.
Voltage variation	+/- 10 %
Frequency (Hz) variation	+/- 1%
Distance to the main distributor box of the system	Advised max 10 m
Emergency power stop switch	Installed in; scan room, operator room



Norm connection plug

Please note: A stable electric power supply meeting above specifications must be provided by the customer for the whole rental.

3.3 Water

The unit is equipped with a sink, which can provide hot & cold water if connected to a clean, cold-water supply. A wastewater outlet would need to be connected for this facility to be utilized.

3.4 Connectivity

The Units External Connection Box houses;

- QTY 4 RJ45 ethernet (CAT 6) connection points. Alongside VISBION CUBE, this allows secure, easy integration to the customers HIS/RIS & PACS systems and allows secure remote support from OEM Service providers.

04 Before Delivery

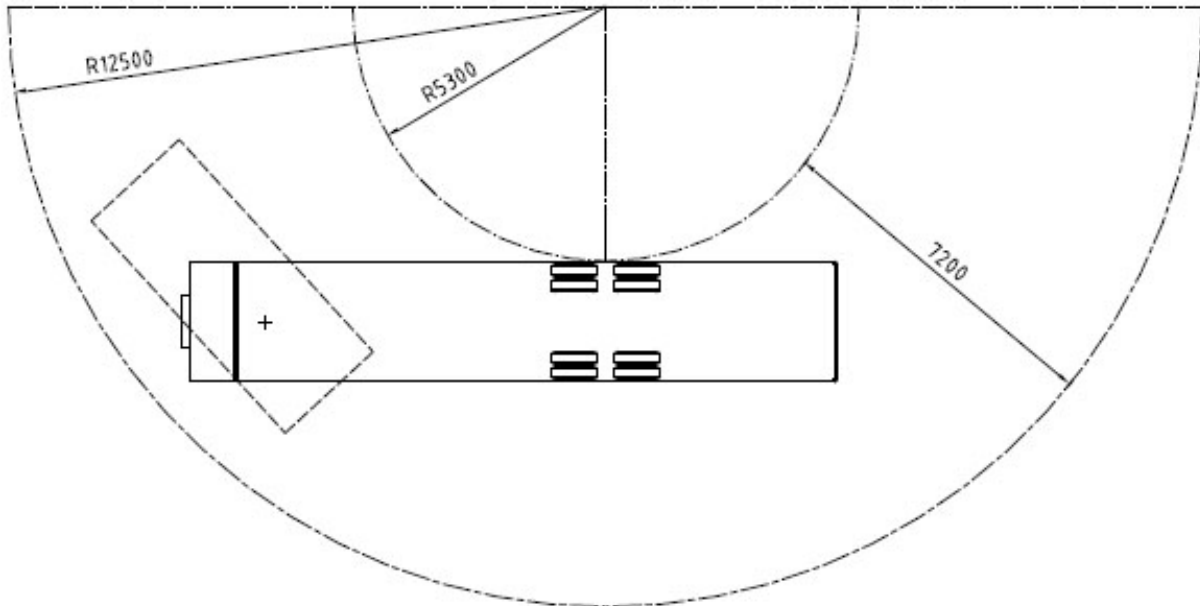
4.1 Preparations of access route

- The route to the installation location has to be trafficable for the tractor and unit with reference to the below “Vehicle access requirements”. An engineer or project manager from AGITO Medical A/S can be consulted on placement and access.
- All obstacles, parked cars, low branches or other potential non-conformities to a failure-free access, are to be removed prior to delivery.
- AGITO Medical will provide a project manager or engineer, for consulting during planning regarding placement.
- If a site visit is requested by the customer, AGITO Medical reserves the right to invoice this expense separately.

Please note: An AGITO Project Manager will be made available for a site survey & consultation prior to rental and unit delivery. They will advise customer on the siting & placement of the unit and access requirements etc. The customer is then responsible for all necessary preparations as advised by the AGITO Project Manager.

4.2 Vehicle access requirements

The access way must have a minimum width of 7,2 m. The radius of the turning circle should have an outer radius of 12,5 m. and an inner radius of 5,3 m.



05 Mobile unit layouts

5.1 Mobile unit layouts

